



ELEVATING YOUR PASSION, SINCE 1898.

## RED LINE SERIES

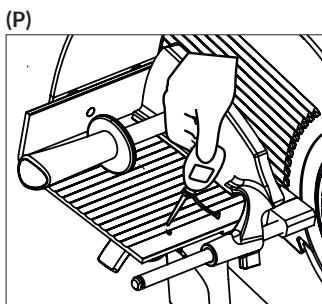
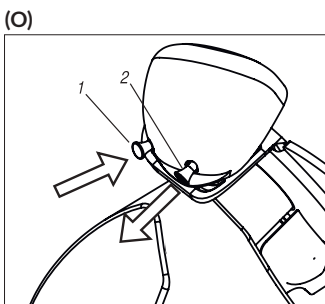
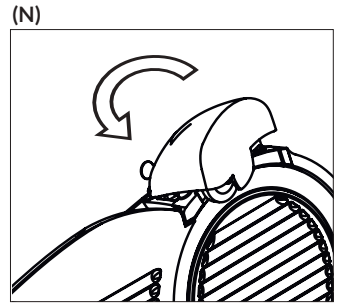
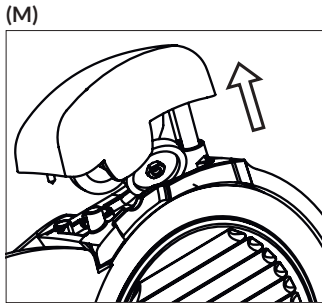
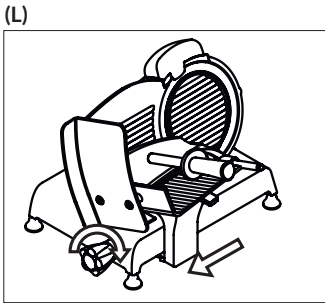
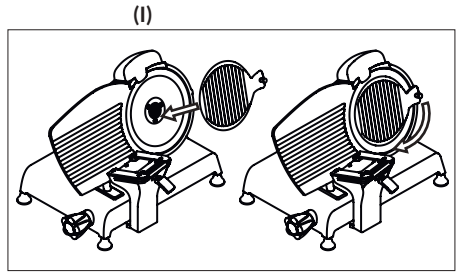
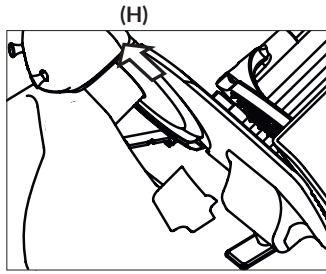
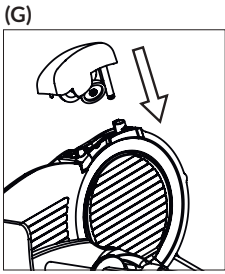
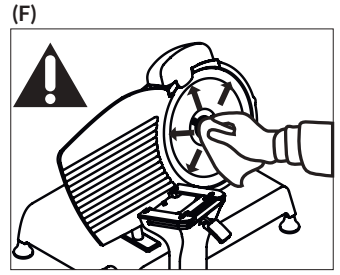
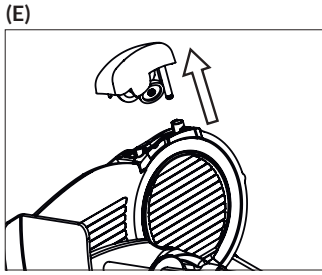
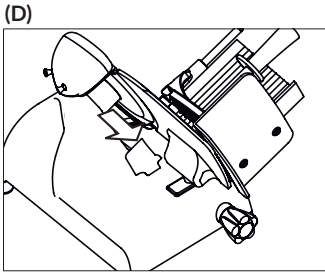
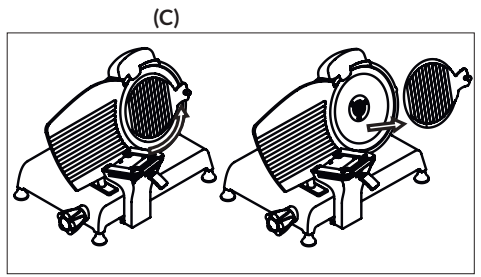
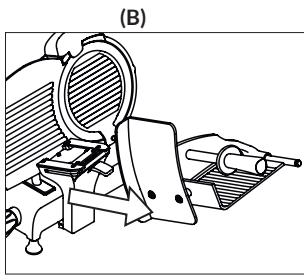
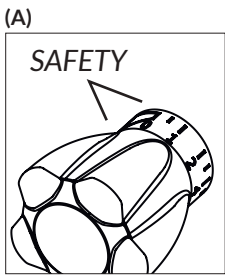
---

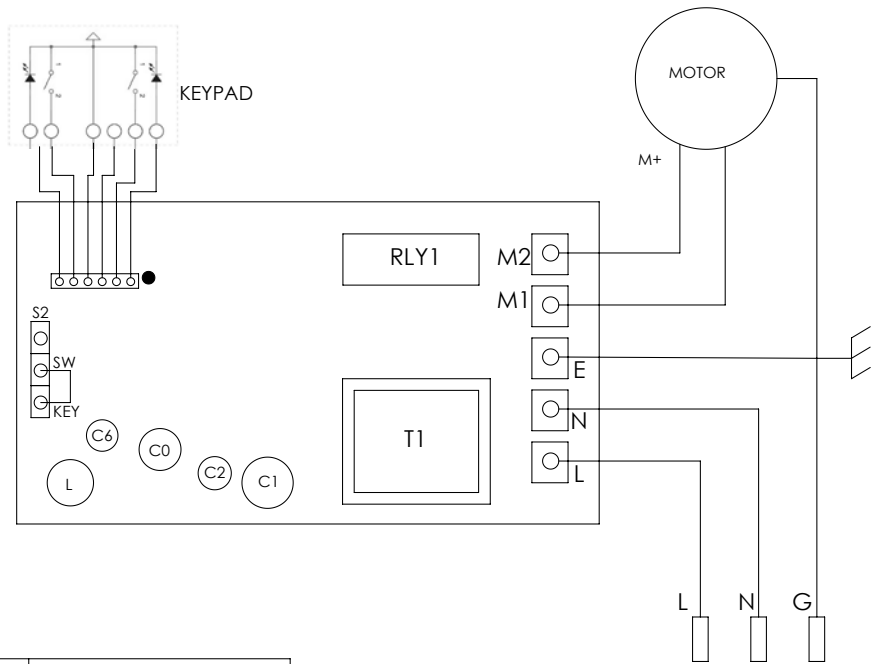
RED LINE 220

RED LINE 250

RED LINE 300

EN	USER MANUAL	LT	NAUDOTOJO VADOVAS
IT	MANUALE D'USO	NL	HANDLEIDING
DE	GEBRAUCHSANLEITUNG	NO	BRUKSANVISNING
FR	MANUEL D'INSTRUCTIONS	PT	MANUAL DE INSTRUÇÕES
CS	NÁVOD K POUŽITÍ	RO	MANUAL DE INSTRUCTIUNI
DA	BETJENINGSVEJLEDNING	SK	NÁVOD NA POUŽITIE
ES	MANUAL DEL USUARIO	SV	BRUKSANVISNING





T1	transformer
RLY 1	relè
C6,C0	capacitor
C1	capacitor
C2	capacitor
L	capacitor

## MODELS:

RL220, RL250, RL300.

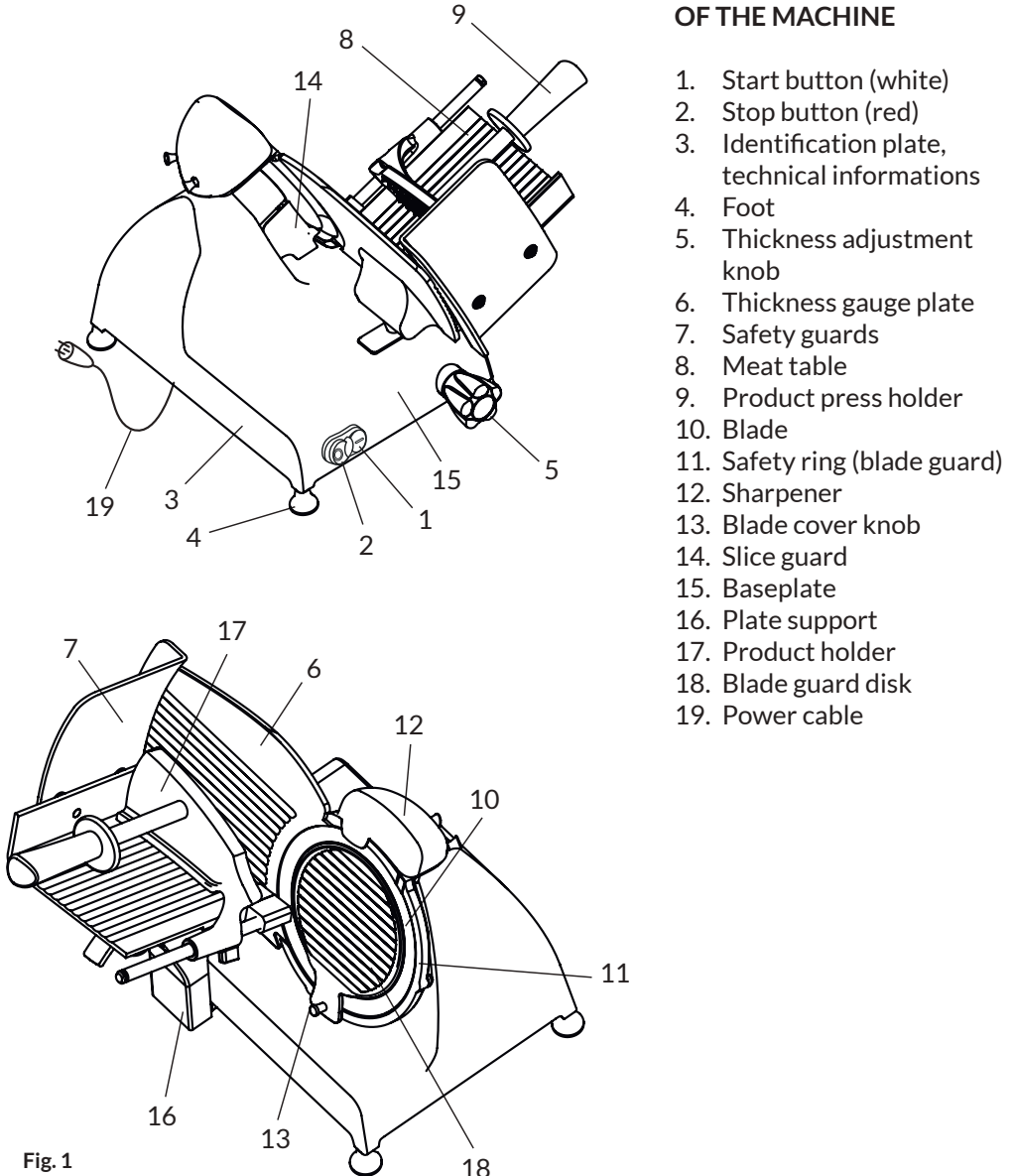
GENERAL PLAN  
OF THE MACHINE

Fig. 1

## DESCRIPTION

---

Circular blade professional slicer machine suitable for cutting only the food products of the types and within the dimensional limits indicated in this manual. The main parts of the machine are shown in the general component diagram reported in Fig. 1. Electrical diagrams are reported in Fig. 2.

## DECLARATION OF CONFORMITY

---

The machines described in this manual comply with Directives 2006/42/CE, 2006/95/CE, 2004/108/CE, 2003/108/CE, 2011/65/CE, Regulation (EC) 1935/2004 and related harmonized standards as EN 1974:1998 +A1, EN60204-1, EN60335-1, EN60335-2-64.



## SAFETY

---

Pay attention to the following basic safety precautions:

- read all the instructions before using the machine;
- this product is not intended to be used by children;
- operate the machine only if properly trained and in perfect psycho-physical conditions.
- do not use the machine in any way other than what indicated in this manual;
- use the machines only in full structural, mechanical and system efficiency;
- install the machine in conformity to the instructions indicated in the "Installation" section;
- install the machine in a location out of the reach of personnel unauthorized to operate it

and especially out of the reach of minors;

- stay highly concentrated when using the machine and avoid any distraction during use;
- do not allow the machine to be used by others who have not read and fully understood the content of this manual;
- do not wear baggy clothing or clothing with open sleeves;
- do not allow anyone else, other than the operator, to approach during product cutting operations;
- do not remove, cover or modify the tags located on the machine body and, in case of damage of these, replace them promptly;
- do not remove the transparent guards and do not modify or bypass any mechanical and electrical protective devices;
- slice only the permitted products, do not attempt cuts on prohibited type products;
- always keep clean and dry the sliced product resting surface, the work area all around the machine and the operator floor area;
- do not use the machine as a resting surface and do not place any objects on it other than food used for cutting operations;
- do not use the slicer when, due to normal wear, the distance between the edge of the blade and the blade guard ring exceeds 6 mm. In this case, contact the manufacturer or to one of the Authorized Service Centers to change the blade;
- do not use the machine with temporary or non-insulated cables, power strips or extension cords;
- periodically check the condition of the power supply cord on the machine body. When

necessary, have qualified personnel replacing it.

- immediately stop the machine in the event of a defect, abnormal operation, suspicion of breakdown, incorrect movement, unusual noises;
  - before cleaning or carrying out maintenance, disconnect the machine from the electrical supply;
  - use protective gloves for cleaning and maintenance operations;
  - place and remove the goods to be sliced on the sliding plate only with the carriage completely pulled back and with the thickness adjustment knob placed in the safety position (on the 0 position) (Fig. A);
  - for movement of the meat table during cutting operations use only the handle located on the arm or the product presser grip;
  - never put your hands on the food product while slicing. Always keep your hands behind the protection devices and far from the blade;
  - use of cutting accessories which were not provided by the manufacturer with the machine is prohibited.
- The manufacturer declines any responsibility coming from inappropriate use, modifications and/or repairs carried out by the user or unauthorized personnel, use of replacement parts that are not original or not specific for the machine model.
- The machine shall not be used in open areas and/or areas which are exposed to atmospheric agents and in environments with vapors, fumes or corrosive and/or abrasive powders, with risk of fire or explosion and in any case where the


use of antiexplosive components is required.

Operating conditions:

- Temperature from -5°C to +40°C
- Max. humidity 95%


DO NOT SLICE:

- frozen food products;
- food products with bones;
- any other product not intended for food use.

 **WARNING!** Motor may overheat! After a maximum 15 minutes of continuous use, switch OFF the machine and allow to cool down.


## RESIDUAL RISKS

The safety ring around the blade is made in conformity to European standards EN 1974:1998 +A1 but, in order to allow the sharpening operations, the protection in the sharpening area may not entirely eliminate the risk of cutting.

 **WARNING!** During the blade cleaning and sharpening operations, pay extra attention to keep your hands as far as possible from the unprotected area. Use of protective gloves is recommended.

## INSTALLATION OF THE MACHINE

Install the machine on a flat, smooth and dry surface suitable for supporting the weight of the machine itself plus the products to be sliced.


 **WARNING!** Verify that there are no obstacles to the meat table travel and to the loading of products.

The machine must be installed in the immediate vicinity of an EEC standard outlet connected to an electrical supply system which is in conformity with the prevailing regulations for:

- magneto-thermic protection;
- automatic differential switch;
- earthing system.

Before carrying out electrical hook up verify that the characteristics of the electrical power supply is in accordance with those indicated on the machine information plate.

## OPERATION


 **WARNING! Risk of injury from sharp blade!** Check that the thickness adjustment knob (5) is in the safety position (on the 0 position) (Fig. A).


1. Pull the meat table (8) all the way back (towards the operator) in the loading position (Fig. L);
2. lift the product holder (17) into the standby position;
3. place the product to be sliced on the meat table near the operator side wall. Block it with the product holder applying slight pressure;
4. adjust the slice thickness. Activate the blade (10) by pressing the start button. Grip the product holder handle (9) and start an alternative cutting motion;
5. at the end of the cutting operations return the thickness adjustment knob to the safety position and pull the meat table back. Stop the blade motion by pressing the stop button (2).

## CLEANING

Before using, clean the ma-

chine at least once a day - or more often if necessary - and always after a long period of inactivity.

 **WARNING! Risk of electric shock!** Before cleaning, disconnect the plug from the electrical mains socket and place the thickness adjustment knob in the safety position.

 **WARNING! Risk of injury from sharp blade!** Check that the thickness adjustment knob (5) is in the safety position (on the 0 position) (Fig. A).

Products for cleaning: use only water and biodegradable mild detergent, using a soft, spongy cloth and a semi-rigid nylon brush for the sharp areas of the plate and the product holder. Do not clean the machine with jets of water or steam or similar methods.

Dismantling:

- the meat table (only for the machine equipped with the meat table removable mechanism):

- 1) with the thickness adjustment knob in the safety position, pull back the carriage all the way until the travel limit toward the operator;
- 2) use the meat table release lever, keeping the support at the travel limit in order to free the meat table from its support. To correctly carry out the operation it may be necessary to act simultaneously also on the thickness adjustment knob, rotating it slightly with respect to the safety position;
- 3) extract the product holder unit sliding the meat table from its support (Fig. B);

- the blade cover:
  - 1) rotate the blade cover 90° counter clock-wise using the special knob; 2) a spring facilitates the extraction of the blade cover (Fig. C);
- the slice deflector:
 

remove the slice deflector following the direction shown in the figure (Fig. D);
- the sharpener:
 

remove the complete sharp unit pulling it upward (Fig. E).

**⚠ WARNING: Risk of injury from sharp blade!** For the cleaning operations of the sharp areas of the plates, the product holder and the blade, use of protective gloves is also recommended.

#### Cleaning:

- the blade: press a damp cloth on the surface of the blade and move it slowly from the center toward the outside on the blade cover side and the opposite side (Fig. F). In the same way dry, it using a dry cloth. NEVER turn on the machine while cleaning the blade;
- the safety ring: use a soft brush to clean the area between the blade and the safety ring. Be careful NOT to put your hands close to the blade;
- the machine body: use a damp cloth or a sponge, rinsing water. Dry carefully.

#### Reassembling:

- the sharpener:
 

insert the sharpener unit as shown in the figure (Fig. G) until it comes to a stop in the correct position;
- the slice deflector:
 

position the slice deflector in its seat (Fig. H);
- the blade cover:
 

reassemble the blade cover

- and rotate it 90° clockwise until it locks into its initial position (Fig. I);
- the meat table (only for the machine equipped with the meat table removable mechanism):
 

insert the meat table on the carriage, verify that the securing lever returns to the initial position, verify that the carriage slides freely and check the correct operation of the thickness adjustment knob.

## MAINTENANCE

---

### Blade Sharpening

Frequency and duration of sharpening depend on the use of the equipment.

**⚠ WARNING!** If the machine is equipped with its specific optional sharpener, follow the instructions. Otherwise, contact the manufacturer or to one of the Authorized Service Centers (see SERVICE).

For sharpening, follow the instructions:

1. position the thickness adjustment knob in the safety position (Fig. A);
2. pull the meat table all the way back (Fig. L);
3. raise the sharpener (Fig. M), and rotate it to position it in the sharpening configuration (Fig. N);
4. release the sharpener;
5. activate the blade by pressing the start button;
6. carry out sharpening of the blade pressing sharpening spring button for 10-15 seconds (Fig. O - 1);
7. release the above-mentioned button;
8. pull and hold the finishing spring button for 2-3 seconds

- (Fig. O - 2);
9. release the button;
10. stop the blade motion by pressing the stop button;
11. raise the sharpener and rotate it to its original position;
12. release it until it stops;
13. proceed with cleaning the slicer.

### Lubrication

After a regular period of use, it may be necessary to lubricate the carriage guides. We recommend executing this operation every 3 months. For lubrication, only use acid free oil (we recommend Vaseline oil). Do not use vegetable oil.

## SERVICE

---

No user-serviceable parts are inside. Refer servicing to qualified personnel. All the repair and replacement operations (like blade replacement, replacement of the motor belt, replacement of the sub-baseplate electrical system components, repair of structural parts, repair and/or re-placement of sub-baseplate components, or similar) shall be executed exclusively by personnel authorized by the manufacturer.

In the event service is needed, you may return your food slicer to the manufacturer or to one of the Authorized Service Centers.

For information about service centers please contact us at: [service@berkelinternational.com](mailto:service@berkelinternational.com).

**⚠ WARNING! The blade re- placement is mandatory if distance between the edge of the blade and the internal edge of the guard exceeds 6 mm.**

## WARRANTY

## AND RESPONSIBILITY

The manufacturer supplies machines with a limited warranty of 24 months from the purchasing date. The warranty is extended only to defects that arise under intended use conditions and proper use. The warranty does not cover defects resulting from faults caused by transport, purchaser's incompetence or negligence, improper installation or earthing, unauthorised interventions, natural wear and tear, voltage variations greater than 10% of the nominal value. Moreover, the warranty does not cover components intrinsically subject to wear, such as blades and grinders, except in the event of evident manufacturing defects. The manufacturer declines any direct and indirect responsibility coming from:

- failure to observe the instructions in this manual;
- use which does not conform to prevailing specific regula-

tions in the country of installation;

- unauthorised modifications and/or repairs carried out on the machine;
- use of non original accessories and replacement parts;
- exceptional events.

Transfer of ownership of the machine automatically defaults the manufacturer's liability for the machine in question with the exception of observance of directive 2006/42/CE (liability for any manufacturing defects of the product).

The Identification tag on the base-plate indicates manufacturer, machine, technical information and CE marking.

## DEMOLITION OF THE SLICER

The machines are comprised of:

- aluminum/magnesium alloy structure;
- inserts and various components and stainless steel;
- electrical parts and electrical cables;

- electric motor;
- plastic material, etc.

If dismantling and demolition are entrusted to third parties, use only companies authorized for disposal of the above-mentioned materials.

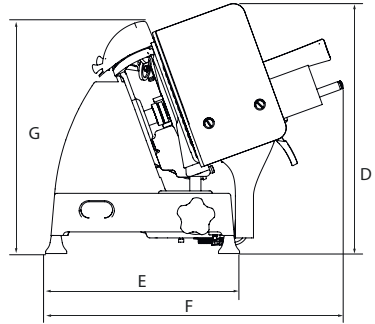
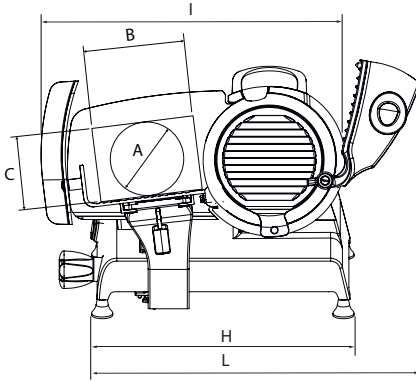
The appliance complies with the EU Directive 2012/19/UE. Packaging materials and appliances contain recyclable materials. Your appliance contains valuable materials that can be recovered or can be recyclable. Separation of the remaining waste materials into different types facilitates the recycling of valuable raw materials. Leave the appliances at a collection point. You can obtain information on disposal from your local authorities.

## Troubleshooting

PROBLEM	REASON	REMEDY
The machine does not start when the on button is pressed	Lack of power or defective control circuit	Check that the plug has been correctly inserted. If the machine still does not start, contact the Service Center
The machine starts when the on button is pressed but the operation indicator light does not turn on	The indicator light may be defective	Do not use the machine with the indicator light off. Contact the Service Center
Excessive resistance to cutting of the product	The blade is dull	Sharpen the blade
The blade slows down or stops while cutting the product	The drive belt may be loose or damaged	Contact the service center in order to tension or replace the belt
The machine does not stop when the stop button is pressed	The control circuit may be defective	Immediately stop the machine, removing the plug from the mains outlet. Contact the service center
Excessive resistance in motion of the sliding components (product holder, carriage)	The lubrication of the sliding guide may not be sufficient	Carry out periodical lubrication as described in this manual



## TECHNICAL CHARACTERISTICS

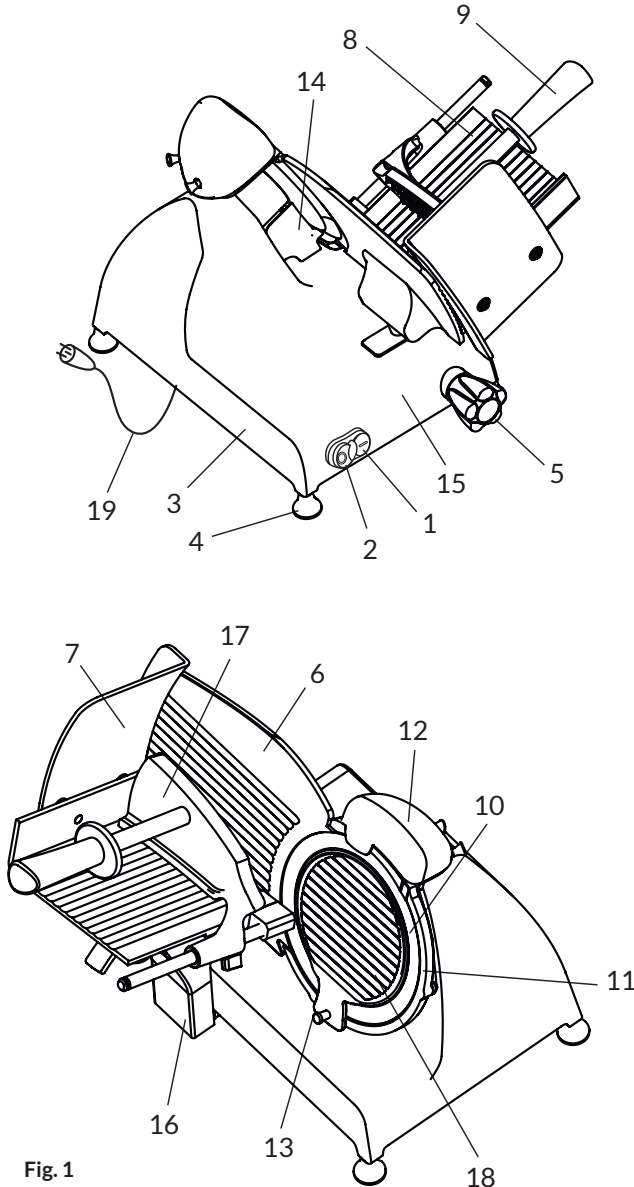


MODEL	220	250	300
A	168 mm	178 mm	230 mm
B	185 mm	185 mm	245 mm
C	160 mm	175 mm	225 mm
D	395 mm	395 mm	480 mm
E	320 mm	320 mm	385 mm
F	505 mm	505 mm	475 mm
G	390 mm	390 mm	430 mm
H	435 mm	435 mm	480 mm
I	490 mm	515 mm	635 mm
L	580 mm	570 mm	630 mm
SPECIFICATIONS			
Circular cutting capacity	168 mm	178 mm	230 mm
Rectangular cutting capacity	185x160 mm	187x175 mm	245x225 mm
Max slice thickness	14 mm	14 mm	12 mm
Blade diameter	220 mm	250 mm	300 mm
Weight	22 Kg	22 Kg	27 kg
Motor rating	0,19 kW	0,19 kW	0,31 kW

Note: As we actually strive to improve our products, specifications are necessarily subject to change without notice.

## MODELLI:

RL220, RL250, RL300.

COMPONENTI  
PRINCIPALI

1. Pulsante di avviamento (bianco)
2. Pulsante di arresto (rosso)
3. Targhetta di identificazione, dati tecnici e marcatura CE
4. Piedino
5. Manopola regolazione spessore fetta
6. Piastra spessimetro (vela)
7. Protezione di sicurezza
8. Piatto portamerce
9. Maniglia del pressamerce
10. Lama
11. Anello di sicurezza (paralama)
12. Affilatoio
13. Manopolina coprilama
14. Parafetta
15. Basamento
16. Supporto piatto
17. Pressamerce
18. Disco paralama
19. Cavo di alimentazione

Fig. 1

## DESCRIZIONE

---

Macchine affettatrici professionali con lama circolare, progettate per affettare esclusivamente prodotti alimentari del tipo e nei limiti dimensionali indicati nel presente manuale. Le parti principali che compongono la macchina sono illustrate alla figura 1. Lo schema elettrico è riportato alla figura 2.

## DICHIARAZIONE DI CONFORMITÀ

---

Le macchine descritte in questo manuale sono conformi alle direttive 2006/42/CE, 2006/95/CE, 2004/108/CE, 2003/108/CE, 2011/65/CE, al regolamento europeo (EC) 1935/2004 ed ai relativi standard quali EN 1974:1998 +A1, EN60204-1, EN60335-1, EN60335-2-64.



## SICUREZZA

---

Per la vostra sicurezza, fate attenzione alle seguenti istruzioni:

- leggere attentamente tutte le istruzioni prima di usare la macchina;
- il prodotto non è indicato per l'utilizzo da parte dei bambini;
- utilizzare la macchina solo se propriamente istruiti e in perfetto stato psico-fisico;
- non usare la macchina in alcun modo differente da come indicato nel presente manuale;
- installare la macchina in conformità alle istruzioni riportate al paragrafo 'Installazione';
- installare la macchina in luogo al di fuori della portata di personale estraneo alle operazioni relative all'impiego e soprattutto di minori;

- utilizzare la macchina con grande concentrazione, non distrarsi durante l'uso;
- evitare l'uso da parte di personale che non abbia letto e compreso a fondo il contenuto del presente manuale;
- non indossare indumenti svolazzanti o con maniche aperte;
- non permettere ad alcuno, al di fuori dell'operatore, di avvicinarsi durante l'operazione di taglio del prodotto;
- non rimuovere, coprire o modificare le targhette collocate sul corpo macchina e, in caso di danneggiamento delle stesse, sostituirle prontamente;
- non rimuovere le protezioni trasparenti e non modificare o escludere le protezioni meccaniche ed elettriche;
- affettare unicamente i prodotti consentiti, non tentare prove di taglio con prodotti di tipo proibito;
- mantenere la zona di appoggio del prodotto affettato, la zona di lavoro tutt'intorno alla macchina e il piano pavimento operatore sempre puliti ed asciutti;
- non utilizzare la macchina come superficie d'appoggio e non appoggiarvi alcuno oggetto estraneo alle normali operazioni di taglio;
- non usare l'affettatrice quando, a seguito di normale usura, la distanza tra il filo della lama e l'anello para lama ha superato i 6 mm, in tal caso contattare il produttore o uno dei Centri Servizio Autorizzati per cambiare la lama;
- non impiegare la macchina con collegamenti elettrici di tipo 'volante', a mezzo di cavi provvisori o non isolati;
- controllare periodicamente lo stato del cavo di alimentazione e del pressacavo sul cor-


- po macchina, sostituirlo prontamente. Quando necessario rivolgendosi per l'intervento a personale qualificato;
  - arrestare immediatamente la macchina in caso di difetto, funzionamento anomalo, sospetto di rottura, movimenti non corretti, rumori insoliti;
  - prima di eseguire la pulizia o di effettuare interventi di manutenzione scollegare la macchina dalla rete di alimentazione elettrica;
  - utilizzare guanti protettivi per le operazioni di pulizia e di manutenzione;
  - porre e rimuovere la merce da affettare sul piatto scorrevole solo con il carrello completamente arretrato e con la manopola regolazione spessore posizionata in sicurezza (Fig. A);
  - per il movimento del piatto portamerce durante l'operazione di taglio usare esclusivamente la maniglia di manovra posta sul braccio o impugnatura del pressamerce;
  - non è ammesso l'uso di accessori per il taglio che non siano stati forniti dal costruttore a corredo della macchina.
- Il costruttore declina ogni responsabilità diretta ed indiretta derivante da uso inappropriato, modifiche e/o riparazioni non autorizzate effettuate sulla macchina non autorizzate, utilizzo di accessori e ricambi non originali.
- La macchina non può essere impiegata in luoghi aperti e/o esposta agli agenti atmosferici e in ambienti con vapori, fumi o polveri corrosivi e/o abrasivi, con rischio di incendio o esplosione e comunque ove sia prescritto l'impiego di componenti antideflagranti.

Condizioni ambientali d'uso:

- Temperatura da -5°C a +40°C
- Umidità max 95%


#### NON AFFETTARE:

- prodotti alimentari congelati;
- prodotti alimentari surgelati;
- prodotti alimentari con ossa (carne e pesce);
- ogni altro prodotto non destinato all'uso alimentare.

 **ATTENZIONE!** Il motore potrebbe surriscaldarsi! Dopo 15 minuti di uso continuativo, spegnere la macchina e lasciare raffreddare il motore.


#### RISCHI RESIDUI

L'anello di sicurezza attorno alla lama è realizzato in conformità alla norma europea EN 1974:1998 +A1, tuttavia, la protezione nell'area di affilatura non elimina totalmente il rischio di taglio.

 **ATTENZIONE!** Durante le operazioni di pulizia lama ed affilatura, fare estrema attenzione a tenere le mani il più lontano possibile dall'area non protetta. Si raccomanda l'uso di guanti di protezione.

#### INSTALLAZIONE

Installare la macchina su di un piano ben livellato, liscio, asciutto ed adatto a sostenere il peso della macchina stessa più la merce da affettare.

 **AVVERTENZA:** Verificare che non ci siano impedimenti alla corsa del piatto ed al caricamento della merce da affettare sul piatto stesso.


La macchina deve essere installata nelle immediate vicinanze di una presa a norme CEE derivata da un impianto

conforme alle normative vigenti provvisto di:

- protezione magneto-termica;
- interruttore automatico differenziale;
- impianto di messa a terra.

Prima di eseguire l'allacciamento verificare che le caratteristiche della rete di alimentazione elettrica concordino con quelle indicate sulla targhetta dati della macchina.

#### USO DELL'AFFETTATRICE


 **ATTENZIONE!** Lama affilata, pericolo di taglio! Controllare che la manopola di regolazione spessore fetta (5) sia in posizione di sicurezza (in posizione 0) (Fig. A).


1. Arretrare completamente il piatto portamerce (8) verso l'operatore, in posizione di carico (Fig. L);
2. sollevare il pressamerce (17) e porlo in posizione di riposo;
3. appoggiare la merce da affettare sul piatto a ridosso della sponda del piatto, lato operatore. Bloccare con il pressamerce esercitando una leggera pressione;
4. regolare lo spessore della fetta. Azionare la lama (10) premendo il pulsante di accensione. Impugnare la maniglia del pressamerce (9) ed iniziare il movimento alternativo di taglio;
5. al termine delle operazioni di taglio riportare in sicurezza la manopola regolazione spessore ed arretrare il carrello. Arrestare il movimento della lama premendo il pulsante di spegnimento (2).

#### PULIZIA

Mantenere una pulizia accurata della macchina. Se utilizzata,

deve essere pulita almeno una volta al giorno o con maggior frequenza se necessario. Dopo un periodo di inattività si raccomanda la pulizia anche prima dell'utilizzo.

 **ATTENZIONE! Pericolo di scossa elettrica!** Prima di procedere alla pulizia della macchina, scollegare la spina della rete di alimentazione elettrica e portare in sicurezza la manopola di regolazione spessore.

 **ATTENZIONE! Lama affilata, pericolo di taglio!** Controllare che la manopola di regolazione spessore fetta (5) sia in posizione di sicurezza (in posizione 0) (Fig. A).

Prodotti per la pulizia: utilizzare esclusivamente acqua e detersivo schiumoso biodegradabile per stoviglie, impiegando un panno morbido, spugnoso e uno spazzolino di nylon semirigido per le zone del piatto e del pressamerce appuntito. Non pulire la macchina con getti d'acqua o vapore o con metodi simili.

Procedere alla rimozione di:

- piatto portamerce (solo per le macchine dotate del meccanismo per la rimozione del piatto portamerce):

- 1) con la manopola di regolazione spessore in sicurezza, arretrare il supporto piatto completamente, sino a fondo corsa, verso l'operatore; 2) utilizzare la leva per lo sgan- cio del piatto, mantenendo il supporto a fondo corsa, per liberare il piatto portamerce dal supporto piatto. Per eseguire correttamente l'operazione può essere necessario

agire contemporaneamente anche sulla manopola regolazione spessore facendola ruotare leggermente rispetto alla posizione di sicurezza; 3) estrarre il piatto portamerce sfilando il piatto dal supporto (Fig. B);

- coprilama:

1) ruotare di 90° in senso antiorario il disco coprilama tramite l'apposita manopola; 2) una molla facilita l'estrazione del disco paralama (Fig. C);

- parafetta:

rimuovere il parafetta seguendo la direzione riportata in figura (Fig. D);

- affilatoio:

rimuovere il gruppo affilatoio completo tirandolo verso l'alto (Fig. E).

**⚠ ATTENZIONE! Lama affilata, pericolo di taglio!** Per le operazioni di pulizia dell'area di affilatura, del piatto, del pressamerce e della lama si raccomanda l'uso di guanti di protezione.

Proseguire con la pulizia di:

- lama: premere un panno umido sulla superficie della lama e spostarlo lentamente dal centro verso l'esterno, come in figura (Fig. F), sul lato coprilama e sul lato opposto. Asciugare, nello stesso modo, utilizzando un panno asciutto;

- anello di sicurezza: usare uno spazzolino di nylon semirigido per pulire l'area compresa tra la lama e l'anello di protezione;

- corpo macchina: pulire il corpo macchina con un panno umido o una spugna risciacquando acqua. Asciugare con cura.

Infine, procedere al riassetto:

- affilatoio:

inserire il gruppo affilatoio come in figura (Fig. G) sino al suo arresto in posizione corretta;

- parafetta:

posizionare accuratamente in sede come in figura il parafetta (Fig. H);

- coprilama:

1) rimontare il coprilama come in figura; 2) ruotare di 90 gradi in senso orario il coprilama, fino a bloccarlo nella sua posizione iniziale (Fig. I);

- piatto portamerce (solo per le macchine dotate del meccanismo per la rimozione del piatto portamerce):

inserire piatto sul carrello, verificare che la leva di fissaggio torni nella posizione iniziale, controllare il corretto funzionamento del regolatore spessore fetta e che il carrello scorra liberamente.

## MANUTENZIONE

### Affilatura lama

Periodicità e durata dell'affilatura dipendono dall'utilizzo dell'apparecchiatura.

**⚠ ATTENZIONE!** Se la macchina è dotata del gruppo affilatoio incorporato, si raccomanda di seguire attentamente le istruzioni. In caso contrario, contattare il produttore o uno dei Centri Servizi Autorizzati (si veda ASSISTENZA).

Per l'affilatura, seguire le istruzioni:

1. posizionare in sicurezza la manopola regolazione spessore fette (Fig. A);
2. arretrare completamente il piatto portamerce (Fig. L);
3. sollevare l'affilatoio (Fig. M), ruotarlo per posizionarlo in configurazione di affilatura

(Fig. N);

4. rilasciare l'affilatoio;

5. avviare la lama premendo il pulsante di avviamento;

6. effettuare l'affilatura della lama mantenendo premuto per 10-15 secondi il pulsante della mola (Fig. O-1);

7. rilasciare suddetto pulsante;

8. tirare e mantenere tirato per 2-3 secondi il pulsante della mola di finitura (Fig. O-2);

9. rilasciare il pulsante;

10. arrestare il movimento della lama premendo il pulsante di spegnimento;

11. sollevare l'affilatoio e ruotarlo nella sua posizione originaria;

12. rilasciarlo fino al suo arresto;

13. procedere alla pulizia dell'affettatrice.

### Lubrificazione

Dopo un certo periodo di regolare utilizzo della macchina, potrebbe essere necessario lubrificare le guide del carrello. Consigliamo comunque di effettuare questa operazione ogni 3 mesi. Per lubrificare, usare solo oli non acidi (consigliamo olio di vaselina). Non usare oli vegetali.

## ASSISTENZA

Non sono forniti pezzi di ricambio all'interno dell'imballo. Tutte le attività di riparazione e sostituzione (quali sostituzione o riparazione di lama, cinghia, componenti elettrici, parti strutturali, etc.) devono essere svolte esclusivamente da personale autorizzato dal produttore stesso.

Nel caso fosse necessaria una riparazione, si raccomanda di ritornare la macchina al produttore o ad un Centro Servizi Autorizzato.

Per informazioni riguardo i

centri servizi, rivolgersi a:  
service@berkelinternational.com.

**! ATTENZIONE! E' obbligatorio sostituire la lama quando la distanza tra il filo della lama stessa ed il bordo interno della protezione supera i 6 mm.**

## GARANZIA E RESPONSABILITÀ

Il produttore fornisce macchine con una garanzia di durata 24 mesi, a partire dalla data di acquisto. La garanzia copre solo i difetti riscontrati facendone un uso appropriato e secondo le condizioni d'uso previste dal manuale. La garanzia non copre difetti dovuti a trasporto, incompetenza o negligenza dell'acquirente, installazione o posizionamento improprio, danni da usura, voltaggio superiore al 10% del valore nominale. Inoltre, la garanzia non copre componenti intrinseca-

mente soggetti a usura, quali la lama e le mole dell'affilatoio, eccetto nel caso di evidente difetto di produzione.

Il produttore declina qualsiasi responsabilità diretta e indiretta derivante da:

- mancata osservanza delle istruzioni presenti nel manuale;
- uso non conforme alla normativa dominante nel paese di installazione;
- modifiche e/o riparazioni sulla macchina non autorizzate;
- uso di accessori e parti di ricambio non originali;
- eventi eccezionali.

Il trasferimento di proprietà della macchina, comporta l'immediato sollevamento da ogni responsabilità da parte del produttore, con eccezione per l'osservanza della direttiva 2006/42/CE (responsabilità per qualsiasi difetto di produzione del prodotto).

La targhetta di identificazione sulla base della macchina regi-

stra il produttore, la macchina, le informazioni tecniche ed il marchio CE.

## DEMOLIZIONE E SMALTIMENTO

La macchina è composta da:

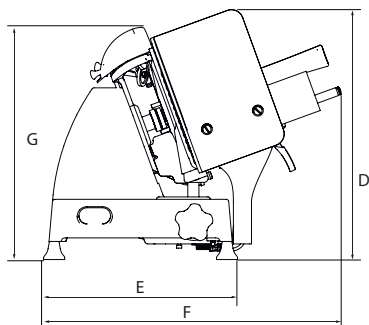
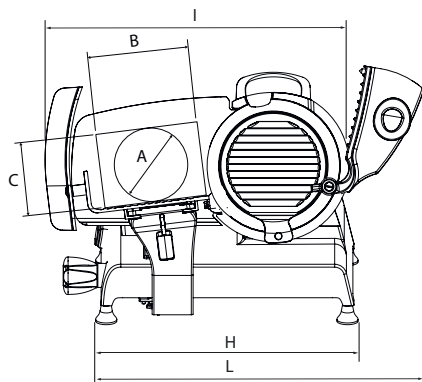
- lega d'alluminio;
- inserti e componenti vari in acciaio inossidabile;
- parti elettriche e cavi elettrici;
- motore elettrico;
- plastica, etc.

Se lo smaltimento è affidato a terze parti, rivolgersi solo a compagnie autorizzate per l'eliminazione dei materiali sopra indicati. Il dispositivo contiene materiali che possono essere recuperati o riciclati. Una corretta raccolta differenziata ne facilita il riciclaggio. A fine vita depositare il dispositivo presso in punto di raccolta. E' possibile ottenere informazioni sullo smaltimento dalle autorità locali.

## Risoluzione problemi

INCONVENIENTE	CAUSA PROBABILE	RIMEDIO
Premendo il pulsante di accensione la macchina non si avvia	Mancanza di alimentazione o circuito di controllo difettoso	Controllare che la spina sia inserita correttamente, se il problema persiste contattare il Centro Servizi
Premendo il pulsante di avviamento la macchina si avvia ma non si accende l'indicatore luminoso di funzionamento	Spia difettosa	Non utilizzare la macchina con indicatore luminoso spento. Interpellare il servizio assistenza
Eccessiva resistenza al taglio del prodotto	La lama non è affilata	Affilare la lama
La lama sotto sforzo rallenta o si arresta	La cinghia potrebbe essere allentata o danneggiata	Contattare il centro servizi per regolare o sostituire la cinghia
Premendo il pulsante di arresto la macchina non si ferma	Circuito di comando difettoso	Arrestare immediatamente la macchina staccando la spina dalla rete ed interpellare immediatamente il Centro Servizi
Eccessiva resistenza alla movimentazione dei componenti scorrevoli (pressamerce, carrello)	Lubrificazione guide di scorrimento non effettuata periodicamente	Effettuare la lubrificazione periodica

## CARATTERISTICHE TECNICHE



MODELLO	220	250	300
A	168 mm	178 mm	230 mm
B	185 mm	185 mm	245 mm
C	160 mm	175 mm	225 mm
D	395 mm	395 mm	480 mm
E	320 mm	320 mm	385 mm
F	505 mm	505 mm	475 mm
G	390 mm	390 mm	430 mm
H	435 mm	435 mm	480 mm
I	490 mm	515 mm	635 mm
L	580 mm	570 mm	630 mm
SPECIFICHE			
Capacità di taglio circolare	168 mm	178 mm	230 mm
Capacità di taglio rettangolare	185x160 mm	187x175 mm	245x225 mm
Massimo spessore fetta	14 mm	14 mm	12 mm
Diametro lama	220 mm	250 mm	300 mm
Peso	22 Kg	22 Kg	27 kg
Potenza motore	0,19 kW	0,19 kW	0,31 kW

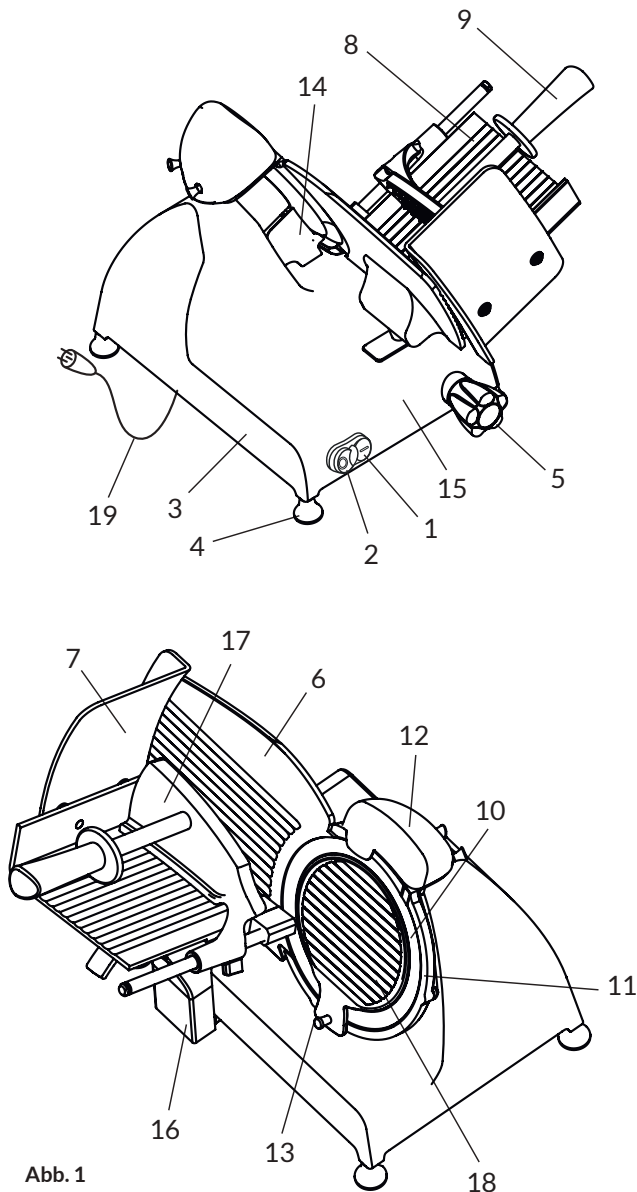
Nota: A seguito della continua ricerca per migliorare sempre i nostri prodotti, le specifiche tecniche sono soggette a possibili variazioni.

## GEBRAUCHSANLEITUNG: Elektrische aufschnittmaschinen Red Line

## MODELLE:

RL220, RL250, RL300.

## HAUPTBESTANDTEILE



1. Starttaster (weiss)
2. Stopptaster (rot)
3. Typenschild, Technische daten, CE kennzeichnung
4. Fuss
5. Reglerknopf für die schnittdicke
6. Platte führerlehre
7. Sicherheitseinrichtungen
8. Schneidgutplatte
9. Griff anschlagplatte
10. Messer
11. Sicherheitsring (messerschutz)
12. Schleifvorrichtung
13. Knopf messerhaube
14. Restehalter
15. Sockel
16. Schlittentisch
17. Anschlagplatte
18. Messerschutzscheibe
19. Stromkabel

Abb. 1



## BESCHREIBUNG

---

Professionelle Aufschnittmaschinen mit kreisrundem Messer, die ausschließlich zum Aufschneiden von Lebensmitteln des Typs und der Größe bestimmt sind, die in der vorliegenden Anleitung genannt werden. Die Hauptbestandteile des Gerätes werden in Abbildung 1 gezeigt. Der Schaltplan ist in Abbildung 2 dargestellt.

## KONFORMITÄTSERKLÄRUNG

---

Die in dieser Anleitung beschriebenen Geräte sind konform mit den Richtlinien 2006/42/EG, 2006/95/EG, 2004/108/EG, 2003/108/EG und 2011/65/EG, mit der Verordnung (EG) Nr. 1935/2004 sowie den entsprechenden Normen wie EN 1974:1998 +A1, EN60204-1, EN60335-1 und EN60335-2-64.



## SICHERHEIT

---

Zu Ihrer Sicherheit möchten wir Sie bitten, unbedingt die folgenden Anweisungen zu befolgen:

- Bevor Sie das Gerät benutzen, lesen Sie aufmerksam alle Anweisungen;
- Das Produkt ist nicht zum Gebrauch durch Kinder geeignet;
- Verwenden Sie das Gerät nur nach entsprechender Anweisung und wenn Sie sich in einwandfreiem körperlichem und geistigem Zustand befinden;
- Verwenden Sie das Gerät auf keinen Fall anders als in der vorliegenden Anleitung beschrieben;
- Installieren Sie das Gerät in Übereinstimmung mit den An-

weisungen im Abschnitt "Installation";

- Stellen Sie das Gerät an einem Ort auf, zu dem Unbefugte und vor allem Minderjährige keinen Zugang haben;
- Seien Sie beim Verwenden des Gerätes stets hochkonzentriert und lassen Sie sich nicht ablenken;
- Lassen Sie das Gerät nicht von Personen verwenden, die diese Anleitung nicht gelesen und verstanden haben;
- Tragen Sie bei der Verwendung keine flatternden Kleidungsstücke oder weiten Ärmel;
- Gestatten Sie während des Schneidvorgangs niemandem, außer dem Bediener, sich dem Gerät zu nähern;
- Die Beschilderung am Gerät darf nicht entfernt, überdeckt oder verändert werden und ist im Falle einer Beschädigung umgehend zu ersetzen;
- Die transparente Schutzvorrichtung darf nicht entfernt und die mechanischen und elektrischen Schutzvorrichtungen dürfen nicht verändert werden;
- Es dürfen ausschließlich die zugelassenen Produkte aufgeschnitten werden; versuchen Sie niemals, nicht zugelassene Produkte zu schneiden;
- Halten Sie den Ablagebereich für die Aufschnittware, den gesamten Arbeitsbereich um das Gerät und den Fußboden im Arbeitsbereich immer sauber und trocken;
- Nutzen Sie das Gerät nicht als Fläche zum Abstützen oder zum Ablegen von Gegenständen, die nicht für den Schneidvorgang erforderlich sind;
- Benutzen Sie die Aufschnittmaschine nicht, wenn der Abstand zwischen dem Messer und dem Sicherheitsring des

Messers 6 mm infolge der normalen Abnutzung übersteigt. Wenden Sie sich in diesem Fall an den Hersteller oder an eine autorisierte Kundendienststelle, um das Messer auswechseln zu lassen;

- Benutzen Sie das Gerät nicht mit provisorischen oder nicht isolierten „fliegenden“ elektrischen Verbindungen;
- Kontrollieren Sie regelmäßig den Zustand des Stromkabels und der Kabeldurchführung am Gerät und ersetzen Sie diese bei Bedarf zeitnah. Wenden Sie sich dafür an Fachpersonal;
- Halten Sie das Gerät bei einem Defekt, ungewöhnlicher Funktionsweise, Verdacht auf einen Bruch, nicht korrekten Bewegungen oder ungewöhnlichen Geräuschen sofort an;
- Trennen Sie das Gerät vor Reinigungs- oder Instandhaltungsarbeiten immer erst vom Stromnetz.
- Tragen Sie bei Reinigungs- oder Instandhaltungsarbeiten immer Schutzhandschuhe;
- Legen Sie die aufzuschneidende Ware nur auf den Schlitten bzw. entfernen Sie sie von selbigem, wenn dieser vollständig zurückgesetzt ist und sich der Reglerknopf für die Schnittdicke in der sicheren Position befindet (Abb. A);
- Verwenden Sie zum Bewegen der Schneidgutplatte ausschließlich den am Arm angebrachten Manövriergreif oder den Griff der Anschlagplatte;
- Es ist nicht zulässig, für das Aufschneiden andere Zubehörteile als jene zu benutzen, die vom Hersteller für die Ausstattung des Gerätes vorgesehen sind.

Der Hersteller übernimmt keinerlei direkte oder indirekte Verantwortung für Schäden

infolge unsachgemäßer Verwendung, nicht autorisierter Änderungen und/oder Reparaturen am Gerät sowie der Verwendung nicht originaler Zubehör- und Ersatzteile.


Das Gerät darf nicht im Freien bzw. an Orten verwendet werden, wo es den Witterungseinflüssen ausgesetzt ist. Außerdem darf es nicht in Umgebungen mit Dampf, Rauch oder korrosiven bzw. abrasiven Pulvern, mit Brand- oder Explosionsgefahr oder in Umgebungen benutzt werden, in denen die Verwendung von Explosionsschutzkomponenten vorgeschrieben ist.

Umgebungsbedingungen für den Betrieb:


- Temperatur:  
zwischen -5°C und +40°C
- Max. Feuchtigkeit 95%

#### NICHT AUFSCHNEIDEN:

- gefrorene Lebensmittel;
- tiefgekühlte Lebensmittel;
- Lebensmittel mit Knochen (Fleisch und Fisch);
- alle anderen nicht zu Ernährungszwecken vorgesehenen Produkte.

 **ACHTUNG!** Der Motor könnte überhitzen! Schalten Sie das Gerät nach 15 Minuten durchgängiger Nutzung ab und lassen Sie den Motor abkühlen.


Der Sicherheitsring um das Messer ist im Einklang mit der europäischen Norm EN 1974:1998 +A1 konstruiert; trotzdem beseitigt der Schutz die Schneid Gefahr im Bereich der Schneide nicht vollständig.

 **ACHTUNG!** Halten Sie Ihre Hände beim Reinigen und

Schleifen des Messers unbedingt möglichst weit vom nicht geschützten Bereich entfernt. Es wird das Tragen von Schutzhandschuhen empfohlen.

## INSTALLATION

Stellen Sie das Gerät auf eine gut nivellierte, glatte, trockene und dem Gewicht des Gerätes und des Schneidgutes angemessene Fläche.


 **ACHTUNG:** Stellen Sie sicher, dass die Bewegung des Schlittens und das Aufladen des Schneidguts auf diesen durch nichts beeinträchtigt werden.

Das Gerät muss in unmittelbarer Nähe einer Steckdose gemäß EWG-Richtlinie installiert werden, die nach den geltenden Normen mit Folgendem ausgestattet ist:

- FI/LS-Schalter;
- automatischer Fehlerstromschutzschalter;
- Erdungsanlage.

Vergewissern Sie sich, bevor Sie das Gerät anschließen, dass die Eigenschaften des Stromnetzes denen auf dem Typenschild des Gerätes entsprechen.

## GEBRAUCH DER AUFSCHNITTMASCHINE


 **ACHTUNG! Scharfes Messer, Schneid Gefahr!** Kontrollieren Sie, dass sich der Reglerknopf für die Schnittdicke (5) in der sicheren Position (Position 0) befindet (Abb. A).


1. Setzen Sie die Schneidgutplatte (8) vollständig zurück in Richtung Bediener und bringen Sie sie so in die Beladepo-

- sition (Abb. L);
2. Heben Sie die Anschlagplatte (17) an und bringen Sie sie in die Ruhestellung;
  3. Legen Sie die Aufschnitware auf die Platte neben der Seitenwand der Platte auf der Bedienerseite. Halten Sie die Anschlagplatte fest, indem Sie einen leichten Druck ausüben;
  4. Stellen Sie die Scheibendicke ein. Betätigen Sie das Messer (10) durch Betätigen der Start-Taste. Greifen Sie den Griff der Anschlagplatte (9) und beginnen Sie mit der abwechselnden Schneidbewegung;
  5. Bringen Sie den Reglerknopf der Schnittdicke am Ende des Schneidvorganges wieder in die sichere Position und setzen Sie den Schlitten zurück. Halten Sie die Bewegung des Messers durch Betätigen der Stopp-Taste (2) an.

## REINIGUNG

Halten Sie das Gerät stets sauber. Wenn das Gerät genutzt wird, muss es mindestens einmal am Tag oder, bei Bedarf, häufiger gereinigt werden. Wenn das Gerät länger nicht genutzt wurde, sollte es auch vor der Wiederbenutzung gereinigt werden.

 **ACHTUNG! Stromschlag Gefahr!** Bevor Sie mit der Reinigung des Gerätes beginnen, ziehen Sie seinen Stecker aus der Steckdose und bringen Sie den Reglerknopf der Schnittdicke in die sichere Position.

 **ACHTUNG! Scharfes Messer, Schneid Gefahr!** Kontrollieren Sie, dass sich der Reglerknopf für die Schnittdicke (5) in der sicheren Position

(Position 0) befindet (Abb. A).

Reinigungsmittel:

Verwenden Sie ausschließlich warmes Wasser und schäumendes, biologisch abbaubares Geschirrspülmittel, ein weiches Schwammtuch und eine mittelharte Nylonbürste für die spitzen Teile der Schneidgut- und der Anschlagplatte. Reinigen Sie das Gerät nicht mit Strahlwasser, Dampf oder ähnlichen Methoden.

Entfernen Sie Folgendes:

- Schneidgutplatte (nur für Geräte mit Mechanismus zum Entfernen der Schneidgutplatte):

1) Während sich der Reglerknopf für die Schnittdicke in der sicheren Position befindet, setzen Sie den Schlittentisch vollständig, bis zum Anschlag und in Richtung Bediener zurück; 2) Nutzen Sie das Hebel zum Entriegeln der Platte und halten Sie den Schlittentisch am Anschlag, um die Schneidgutplatte vom Schlittentisch freizuhalten. Zum korrekten Ausführen des Vorgangs kann es erforderlich sein, gleichzeitig auch den Reglerknopf für die Schnittdicke leicht in Richtung Sicherheitsposition zu drehen; 3) Ziehen Sie die Schneidgutplatte heraus, indem Sie den Schlittentisch abnehmen (Abb. B);

- Messerhaube:

1) Drehen Sie die Messerschuttscheibe um 90° entgegen den Uhrzeigersinn mithilfe des entsprechenden Knopfes; 2) Eine Feder erleichtert das Herausziehen der Messerschuttscheibe (Abb. C);


- Restehalter:

Entfernen Sie den Restehalter

in der Richtung, die in der Abbildung gezeigt wird (Abb. D);

- Schleifvorrichtung:

Entfernen Sie die komplette Gruppe der Schleifvorrichtung, indem Sie sie nach oben ziehen (Abb. E).

 **ACHTUNG! Scharfes Messer, Schneidgefahr!** Für die Reinigung von Schleifbereich, Schneidgutplatte, Anschlagplatte und Messer wird das Tragen von Schutzhandschuhen empfohlen.

Fahren Sie dann mit der Reinigung der folgenden Teile fort:

- Messer: Drücken Sie einen feuchten Lappen auf die Oberfläche des Messers und bewegen Sie ihn dann langsam von der Mitte nach außen, wie in der Abbildung gezeigt (Abb. F); gehen Sie sowohl auf der Seite der Messerhaube als auch auf der gegenüberliegende Seite vor. Trocknen Sie das Messer auf dieselbe Weise mit einem trockenen Tuch ab;

- Sicherheitsring: Verwenden Sie zum Reinigen des Bereichs zwischen dem Messer und dem Sicherheitsring eine kleine halbsteife Nylonbürste;

- Gerätekorpus: Reinigen Sie den Gerätekorpus mit einem feuchten Lappen oder Schwamm und spülen Sie ihn dann mit warmem Wasser ab. Sorgfältig abtrocknen.

Gehen Sie schließlich wie folgt vor, um das Gerät und seine Bestandteile wieder zusammenzubauen:

- Schleifvorrichtung:

Setzen Sie die Gruppe der Schleifvorrichtung wie in der Abbildung gezeigt (Abb. G) bis zum Anschlag in der korrekten Position ein;

- Restehalter:

Positionieren Sie den Restehalter sorgfältig in seinem Sitz, wie in der Abbildung gezeigt (Abb. H);

- Messerhaub:

1) Bringen Sie die Messerhaube wieder an, wie in der Abbildung gezeigt; 2) Drehen Sie die Messerhaube im Uhrzeigersinn um 90 Grad, bis sie in ihrer Anfangsposition einrastet (Abb. I);


- Schneidgutplatte (nur für Geräte mit Mechanismus zum Entfernen der Schneidgutplatte):

Setzen Sie die Platte auf dem Schlitten ein, prüfen Sie, dass der Befestigungshebel in die Anfangsposition zurückkehrt und kontrollieren Sie die korrekte Funktionsweise des Reglerknopfes der Schnittdicke und dass der Schlitten ungehindert gleitet.

## INSTANDHALTUNG

### Schleifen des Messers

Wie häufig das Messer geschliffen werden muss, hängt von der Verwendung des Gerätes ab.

 **ACHTUNG!** Wenn das Gerät mit der integrierten Schleifvorrichtung ausgestattet ist, befolgen Sie aufmerksam die Anweisungen. Anderenfalls wenden Sie sich an den Hersteller oder eine autorisierte Kundendienststellen (siehe SERVICE).

Gehen Sie zum Schleifen wie folgt vor:

1. Bringen Sie den Reglerknopf für die Schnittdicke in die Sicherheitsposition (Abb. A);
2. Setzen Sie die Schneidgutplatte vollständig zurück (Abb. L);
3. Heben Sie die Schleifvorrichtung

- tion an (Abb. M) und drehen Sie sie, um sie in die Schleifposition zu bringen (Abb. N);
4. Lassen Sie die Schleifvorrichtung wieder los;
  5. Starten Sie das Messer durch Drücken der Start-Taste;
  6. Nehmen Sie das Schleifen des Messers vor, indem Sie die Taste der Schleifscheibe 10-15 Sekunde lang gedrückt halten (Abb. O-1);
  7. Lassen Sie die genannte Taste wieder los;
  8. Ziehen Sie die Taste der Feinschleifscheibe für 2-3 Sekunden (Abb. O-2);
  9. Lassen Sie die Taste wieder los;
  10. Halten Sie die Bewegung des Messers durch Betätigen der Stopp-Taste an;
  11. Heben Sie die Schleifvorrichtung an und drehen Sie sie in ihre Ausgangsposition;
  12. Lassen Sie sie wieder los, bis sie stehen bleibt;
  13. Mit der Reinigung der Aufschnittmaschine fortfahren.

### Schmierung

Nach einer gewissen Betriebsdauer des Gerätes kann es erforderlich werden, die Führungen des Schlittens zu schmieren. Wir empfehlen, diesen Vorgang alle 3 Monate durchzuführen. Verwenden Sie zum Schmieren nur nicht saure Öle (wir empfehlen Vaselineöl). Keine pflanzlichen Öle verwenden.

### ASSISTENZ


Der Verpackung liegen keine Ersatzteile bei. Sämtliche Reparatur- und Austauscharbeiten (wie Austausch oder Reparatur von Messer, Riemen, elektrischen Bauteilen, strukturellen Teilen usw.) dürfen

ausschließlich von Personal durchgeführt werden, das vom Hersteller autorisiert ist.

Sollte eine Reparatur erforderlich sein, bringen Sie das Gerät möglichst zum Hersteller oder zu einer autorisierten Kundendienststelle.

Für Informationen zu Kundendienststellen, wenden Sie sich an:

service@berkelinternational.com.

 **ACHTUNG! Das Messer muss ausgetauscht werden, wenn der Abstand zwischen der Messerschneide und dem Innenrand der Schutzvorrichtung 6 mm übersteigt.**

### GARANTIE UND HAFTUNG

Der Hersteller liefert Geräte mit einer Garantielaufzeit von 24 Monaten ab Kaufdatum. Die Garantie deckt einzig Defekte ab, wenn das Gerät sachgemäß und im Einklang mit den vorgesehenen Betriebsbedingungen laut Anleitung genutzt wurde. Die Garantie deckt keine Mängel oder Schäden ab, die durch Folgendes verursacht werden: Transport, Unfähigkeit oder Fahrlässigkeit des Käufers, unsachgemäße Installation oder Positionierung, Verschleiß, Versorgung mit einer Spannung, die mehr als 10 % über der Nennspannung liegt. Darüber hinaus gilt die Garantie nicht für Verschleißteile wie das Messer und die Schleifscheiben der Schleifvorrichtung, sofern keine offensichtlichen Herstellungsfehler vorliegen.

Der Hersteller lehnt jede direkte und indirekte Verantwortung ab, die auf Folgendes zurückzuführen ist:

- Nichtbeachtung der Anwei-

sungen der vorliegenden Anleitung;

- Gebrauch, der nicht den im Aufstellungsland geltenden Normen entspricht;

- nicht autorisierte Änderungen und/oder Reparaturen am Gerät;

- Verwendung nicht originaler Zubehör- oder Ersatzteile;

- außergewöhnliche Ereignisse.

Die Übertragung des Eigentums des Gerätes entbindet den Hersteller umgehend von jeglicher Verantwortung, mit Ausnahme der Einhaltung der Richtlinie 2006/42/EG (Haftung für jegliche Herstellungsfehler des Produktes).

Das Typenschild am Gerätesockel weist den Hersteller, den Gerätetyp, die technischen Informationen sowie die CE-Marke aus.

### ABBAU UND ENTSORGUNG

Das Gerät besteht aus Folgendem:

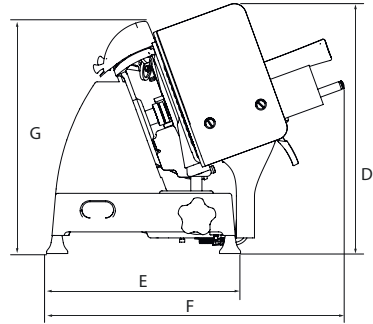
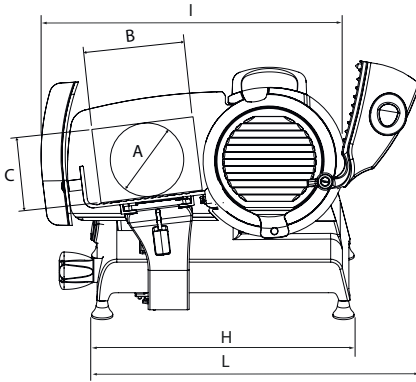
- Aluminiumlegierung;
- verschiedene Einsätze und Geräteteile aus Edelstahl;
- elektrische Komponenten und Stromkabel;
- Elektromotor;
- Kunststoff usw.

Wenn mit der Entsorgung Dritte beauftragt werden, wenden Sie sich ausschließlich an Firmen, die zur Beseitigung der obigen Materialien befugt sind. Das Gerät enthält Materialien, die wiederverwertet oder recycelt werden können. Eine korrekte differenzierte Entsorgung erleichtert ihr Recycling. Geben Sie das Gerät an seinem Lebensende bei einer Sammelstelle ab. Weitere Informationen zur Entsorgung erhalten Sie bei den lokalen Behörden.

## Problembhebung

PROBLEM	MÖGLICH URSACHE	BEHEBUNG
Das Gerät schaltet sich bei Einschalten der Start-Taste nicht ein	Fehlende Stromversorgung oder defekter Steuerkreis	Prüfen Sie, dass der Stecker korrekt eingesetzt ist; wenn das Problem weiterhin besteht, wenden Sie sie an eine Kundendienststelle
Bei Betätigung der Start-Taste startet das Gerät, aber die Leuchtanzeige des Betriebs geht nicht an	Leuchtanzeige defekt	Das Gerät nicht verwenden, wenn die Leuchtanzeige aus ist. Wenden Sie sich an den Kundendienst
Zu hoher Widerstand beim Schneiden der Aufschnittware	Das Messer ist nicht geschliffen	Das Messer schleifen
Das Messer wird bei Belastung langsamer oder hält an	Der Riemen könnte locker oder beschädigt sein	Wenden Sie sich an den Kundendienst, um den Riemen einstellen oder austauschen zu lassen
Bei Betätigen der Stopp-Taste hält das Gerät nicht an	Steuerkreis defekt	Das Gerät sofort anhalten, den Stecker aus der Steckdose ziehen und umgehend an den Kundendienst wenden
Übermäßiger Widerstand bei der Bewegung der beweglichen Geräteteile (Anschlagplatte, Schlitten)	Schmierung der Gleitführungen nicht regelmäßig durchgeführt	Schmierung regelmäßig durchführen

## TECHNISCHE DATEN

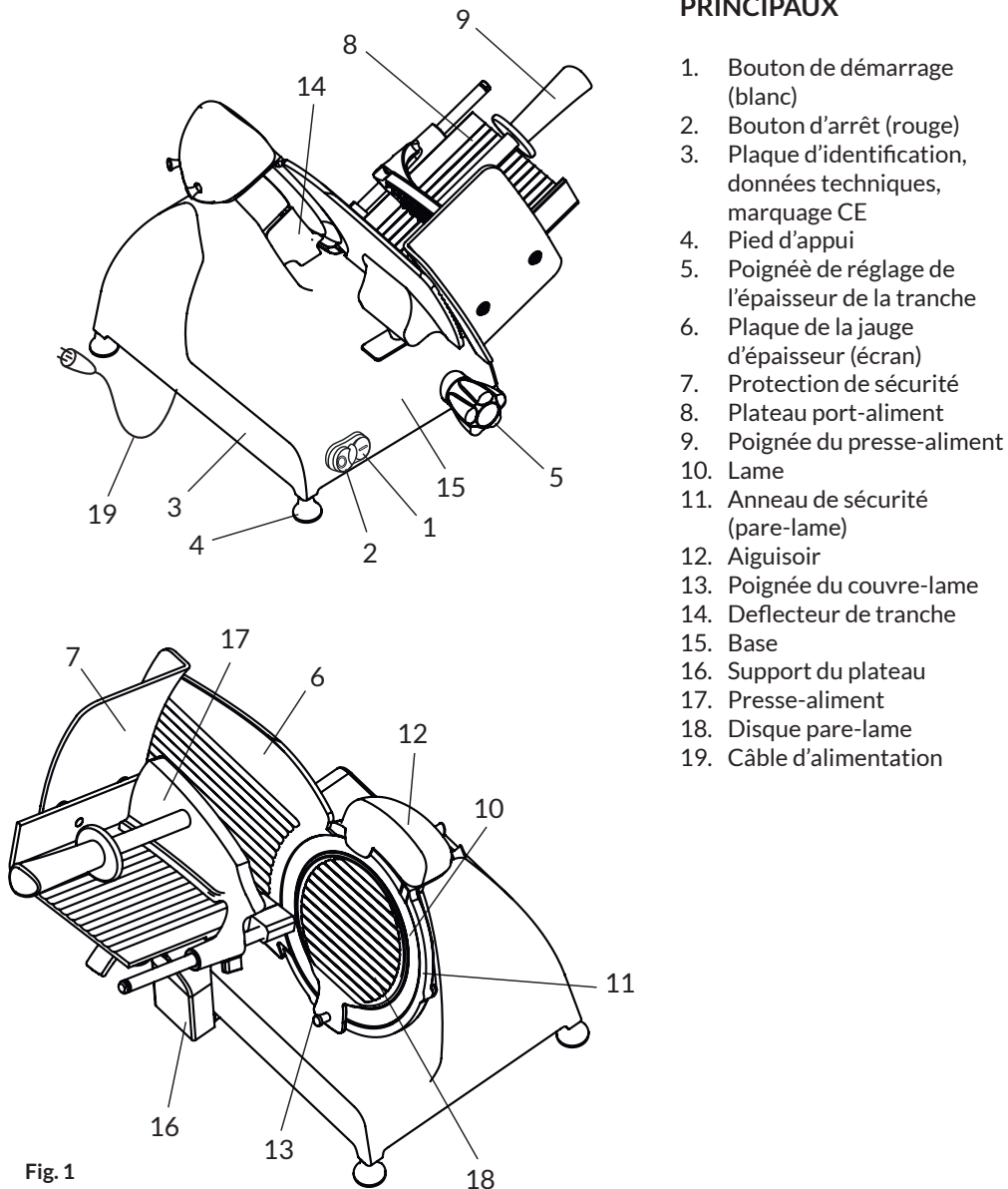


MODELL	220	250	300
A	168 mm	178 mm	230 mm
B	185 mm	185 mm	245 mm
C	160 mm	175 mm	225 mm
D	395 mm	395 mm	480 mm
E	320 mm	320 mm	385 mm
F	505 mm	505 mm	475 mm
G	390 mm	390 mm	430 mm
H	435 mm	435 mm	480 mm
I	490 mm	515 mm	635 mm
L	580 mm	570 mm	630 mm
TECHNISCHE MERKMALE			
Schnittleistung (rund)	168 mm	178 mm	230 mm
Schnittleistung (rechteckig)	185x160 mm	187x175 mm	245x225 mm
Max. Schnittstärke	14 mm	14 mm	12 mm
Kilngedurchmesser	220 mm	250 mm	300 mm
Gewicht	22 Kg	22 Kg	27 kg
Motorleistung	0,19 kW	0,19 kW	0,31 kW

Anmerkung: Aufgrund der ständigen Forschung für die Verbesserung unserer Produkte, die Produktionsvorgabe können Änderungen zeigen.

## MODÈLES:

RL220, RL250, RL300.

ÉLÉMENTS  
PRINCIPAUX

1. Bouton de démarrage (blanc)
2. Bouton d'arrêt (rouge)
3. Plaque d'identification, données techniques, marquage CE
4. Pied d'appui
5. Poignée de réglage de l'épaisseur de la tranche
6. Plaque de la jauge d'épaisseur (écran)
7. Protection de sécurité
8. Plateau port-aliment
9. Poignée du presse-aliment
10. Lame
11. Anneau de sécurité (pare-lame)
12. Aiguisoir
13. Poignée du couvre-lame
14. Deflecteur de tranche
15. Base
16. Support du plateau
17. Presse-aliment
18. Disque pare-lame
19. Câble d'alimentation

Fig. 1

## DESCRIPTION

---

Trancheuses à utilisation alimentaire, avec une lame circulaire, conçues pour découper exclusivement des produits alimentaires du type et dans les limites dimensionnelles indiquées dans ce manuel. Les éléments principaux qui composent la machine sont illustrés sur la figure 1. Le schéma de câblage est représenté sur la figure 2.

## DÉCLARATION DE CONFORMITÉ

---

Les machines décrites dans ce manuel sont conformes aux directives 2006/42/CE, 2006/95/CE, 2004/108/CE, 2003/108/CE, 2011/65/CE, au règlement européen (EC) 1935/2004 et aux standards correspondants comme EN 1974:1998 +A1, EN60204-1, EN60335-1, EN60335-2-64.



## SÉCURITÉ

---

Pour votre sécurité, s'il vous plaît respecter les recommandations suivantes:

- lire toutes les instructions avant d'utiliser la machine ;
- le produit n'est pas destiné à être utilisé par les enfants;
- utiliser la machine uniquement si bien informé et en parfait état psychophysique;
- ne pas utiliser la machine en aucune manière différente de la manière décrite dans ce manuel;
- installez la machine en conformité avec les instructions indiquées dans le paragraphe Installation;
- installez la machine dans un

lieu hors de portée de personnel étranger aux opérations relatives à l'utilisation, en particulier les mineurs;

- utilisez la machine de manière très concentrée, sans se distraire pendant l'utilisation;
- évitez l'utilisation de la part de personnel qui n'a pas lu et compris entièrement le contenu du présent manuel;
- ne portez pas de vêtements flottants ou avec des manches ouvertes;
- ne permettez à personne de s'approcher pendant le fonctionnement de découpe du produit;
- ne retirez, couvrez ou modifiez les plaques situées sur le corps de la machine et, en cas d'endommagement de celles-ci, remplacez-les rapidement;
- ne retirez pas les protections transparentes et ne modifiez pas ou n'excluez pas les protections mécaniques ou électriques;
- découpez uniquement les produits autorisés, ne faites pas d'essai de découpe avec des produits Interdits;
- maintenez la zone d'appui du produit découpé, la zone de travail tout autour de la machine et le sol au niveau de l'opérateur toujours propres et secs;
- n'utilisez pas la machine comme surface d'appui et n'y posez aucun objet étranger aux opérations normales de découpe;
- n'utilisez pas la trancheuse lorsqu'à la suite d'une utilisation normale, la distance entre le fil de la lame et l'anneau pare-lame a dépassé 6 mm. Dans cet événement adressez-vous au constructeur ou au personnel qualifié et autorisé pour remplacer la lame;
- n'utilisez pas la machine avec

les branchements électriques de type «provisoire», à l'aide de câbles provisoires ou non isolés;

- contrôlez régulièrement l'état du câble d'alimentation et du presse-étoupe sur le corps de la machine, remplacez-le rapidement si besoin et adressez-vous à du personnel qualifié pour l'intervention;
  - arrêtez immédiatement la machine en cas de défaut, de fonctionnement anormal, de suspicion de rupture, de mouvements incorrects, de bruit insolite;
  - avant d'exécuter le nettoyage ou d'effectuer des interventions d'entretien, débranchez la machine du réseau d'alimentation électrique;
  - utilisez des gants de protections pour les opérations de nettoyage et d'entretien;
  - placez et retirez le produit à découper sur le plat coulissant uniquement avec le chariot entièrement reculé et avec la poignée de réglage de l'épaisseur placée en sécurité (Fig. A);
  - pour le déplacement du plat porte-aliment pendant l'opération de découpe, utilisez uniquement la poignée de manœuvre placée sur le bras ou la prise du presse-aliment;
  - l'utilisation d'accessoires pour la découpe qui n'ont pas été fournis par le constructeur avec la machine n'est pas autorisé.
- Le fabricant décline toute responsabilité directe ou indirecte dérivant d'utilisation non conforme, modifications et/ou réparations non autorisées effectuées sur la machine; utilisation d'accessoires et de pièces de rechange non originales.
- La machine ne peut pas être utilisée dans des lieux ouverts et/ou exposée aux agents atmos-



phériques et dans des environnements contenant des vapeurs, des fumées ou des poussières corrosives et/ou abrasives, un risque d'incendie ou d'explosion et dans tous les cas, où l'utilisation de composants antidéflagrants est prescrite.

Mode d'emploi:

- Température de -5 °C à +40 °C
- Humidité max 95%

### PRODUITS QUI NE PEUVENT PAS ÊTRE DÉCOUPÉS:

- produits alimentaires congelés;
- produits alimentaires surgelés;
- produits alimentaires avec os (viandes et poissons);
- tout autre produit non destiné à une utilisation alimentaire.

**⚠ AVERTISSEMENT!** Le moteur pourrait surchauffer! Après 15 minutes d'utilisation continue, éteindre la machine et laisser refroidir le moteur.

L'anneau de sécurité autour de la lame est réalisé en conformité avec la norme européenne EN 1974:1998 +A1 mais dans la zone d'aiguisage, cette protection n'élimine pas entièrement le risque de coupure.

**⚠ AVERTISSEMENT!** Pendant les opérations de nettoyage de la lame et d'aiguisage faire attention à garder vos mains loin de la zone non protégée. L'utilisation de gants de protection est recommandée.

### INSTALLATION

Installez la machine sur un plan bien nivelé, lisse, sec et adapté pour soutenir le poids de la machine, en plus du produit à trancher.

**⚠ AVERTISSEMENT:** Vérifiez que rien ne fasse obstacle à la course du plat et au chargement du produit à trancher sur le plat.

La machine doit être installée à proximité d'une prise au norme CEE dérivée d'une installation conforme aux normes en vigueur équipée de:

- protection magnéto-thermique;
  - interrupteur automatique différentiel;
  - installation de mise à la terre.
- Avant de procéder au branchement, vérifiez que les caractéristiques du réseau d'alimentation électrique correspondent avec celles indiquées sur la plaque des données de la machine.

### UTILISATION DE LA TRANCHEUSE

**⚠ ATTENTION! Lame tranchante, risque de coupure!** Contrôlez que la poignée de réglage de l'épaisseur de la tranche (5) soit en position de sécurité (position 0) (Fig. A).

1. Reculez entièrement le charriot (8) en direction de l'opérateur, en position de chargement (Fig. L);
2. soulevez le presse-aliment (17) et placez-le en position de repos;
3. posez le produit à découper sur le plat contre la paroi côté opérateur. Bloquez avec le presse-aliment en exerçant une légère pression;
4. réglez l'épaisseur de la tranche. Actionnez la lame (10) en appuyant sur le bouton d'allumage. Prenez la poignée fixée au presse-aliment (9) et commencez le mouvement alterna-

tif de découpe;

5. une fois les opérations de découpe terminées, remettez en sécurité la poignée de réglage de l'épaisseur et reculez le charriot. Arrêtez le mouvement de la lame en appuyant sur le bouton d'arrêt (2).

### NETTOYAGE

Les machines doivent être soigneusement nettoyées au moins une fois par jour; si nécessaire, effectuez-le plus souvent. Après une période plus ou moins longue d'inactivité, elles doivent être nettoyées avant d'être utilisées.

**⚠ ATTENTION! Risque de choc électrique!** Avant de nettoyer la machine, débranchez la fiche du réseau d'alimentation électrique. Placez de manière sécurisée la poignée de réglage de la plaque de la jauge d'épaisseur.

**⚠ ATTENTION! Lame tranchante, risque de coupure!** Contrôlez que la poignée de réglage de l'épaisseur de la tranche (5) soit en position de sécurité (position 0) (Fig. A).

Produit à utiliser: utilisez uniquement de l'eau chaude et un détergent moussueux biodégradable pour vaisselle en utilisant un linge doux, spongieux et une brosse en nylon semi-rigide pour les zones du plat et du presse-aliment pointues. Ne nettoyez pas la machine avec des jets d'eau ou de vapeur ou avec des méthodes équivalentes.

Procéder à retirer les différents composants:

- plat porte-aliment (seulement

pour les machines équipées du mécanisme d'enlèvement du plat porte-aliment):

- 1) Avec la poignée de réglage de la plaque de la jauge d'épaisseur en sécurité, reculez entièrement le support porte-plat jusqu'au fond de la course vers l'opérateur;
- 2) Utiliser le levier pour le décrochage du plat, en maintenant le support en fond de course, pour libérer le plat porte-aliment du support du plat. Pour effectuer correctement l'opération, il peut être nécessaire d'agir en même temps sur la poignée de réglage de l'épaisseur en la faisant tourner légèrement par rapport à la position de sécurité;
- 3) Extrayez le groupe porte-aliment en retirant le plat du support (Fig. B);

- couvre-lame:

- 1) tournez de 90° en sens antihoraire le disque pare-lame à l'aide de la poignée appropriée;
- 2) un ressort facilite l'extraction du disque pare-lame (Fig. C);

- pare-tranche:

retirez le pare-tranche en suivant la direction indiquée sur la figure (Fig. D);

- aiguisoir:

retirez le groupe aiguisoir complet en tirant vers le haut (Fig. E).

### **ATTENTION! *Lame tranchante, risque de coupure!***

Pour les opérations de nettoyage des zones pointues des plats, des presse-aliment et de la lame, il est conseillé d'utiliser des gants de protection.

et le déplacez lentement du centre vers l'extérieur, comme le montre la figure (Fig. F), sur le côté du couvre-lame et sur le côté opposé. De la même manière, séchez en utilisant un linge sec;

- anneau de sécurité: utilisez une brosse en nylon semi-rigide pour nettoyer la zone située entre la lame et l'anneau de sécurité;

- corps de la machine: nettoyez le corps de la machine avec un linge humide ou une éponge. Séchez avec soin.

Enfin, procédez au remontage de:

- aiguisoir:

insérez le groupe aiguisoir comme sur la figure (Fig. G) jusqu'à ce qu'il s'arrête dans la position correcte;

- pare-tranche:

placez soigneusement le pare-tranche dans son siège comme le montre la figure (Fig. H);

- couvre-lame:

- 1) Remontez le couvre-lame comme le montre la figure;
- 2) tournez de 90 degrés en sens horaire le couvre-lame, jusqu'à le bloquer dans sa position initiale (Fig. I);

- plat porte-aliment (seulement pour les machines équipées du mécanisme d'enlèvement du plat porte aliment):

insérez le plat sur le chariot, vérifiez que le levier de fixation revient dans la position initiale; contrôlez le bon fonctionnement du régulateur d'épaisseur de la tranche et que le chariot défile librement.

La périodicité et la durée d'affûtage dépendent de l'utilisation de la machine.

 **ATTENTION!** Si la machine est équipée du groupe aiguisoir intégré, s'il vous plaît suivre attentivement les instructions. Sinon, contactez le fabricant ou l'un des centres de services autorisés (voir Service).

Pour l'affûtage, suivez les instructions:

1. placez de manière sécurisée la poignée de réglage d'épaisseur de la tranche (fig. A);
2. reculez entièrement le plat porte-aliment (Fig. L);
3. soulevez l'aiguisoir comme sur la figure (Fig. M) et tournez-le pour placer les deux ressorts de l'aiguisoir en configuration d'aiguisage (Fig. N);
4. relâchez l'aiguisoir;
5. démarrez la lame en appuyant sur le bouton d'allumage;
6. effectuez l'aiguisage de la lame en maintenant appuyé pendant 10 à 15 secondes le bouton du ressort (Fig. O-1);
7. relâchez le bouton cité;
8. tirez et maintenez tiré pendant 2-3 secondes le bouton du ressort de finition (Fig. O-2);
9. relâchez le bouton;
10. arrêtez le mouvement de la lame en appuyant sur le bouton d'arrêt;
11. soulevez l'aiguisoir et tournez-le dans sa position d'origine;
12. relâchez-le jusqu'à ce qu'il s'arrête;
13. procédez au nettoyage de la trancheuse.

Poursuivre le nettoyage de:

- lame: pressez un linge humide sur la surface de la lame

## ENTRETIEN

### Aiguisage de la lame

### Lubrification

Après une période d'utilisation régulière, il peut être néces-

saire de lubrifier les guides de glissement. On recommande d'exécuter cette opération chaque les 3 mois. Pour la lubrification, utilisez uniquement de l'huile sans acide (nous recommandons huile de vaseline). Ne pas utiliser d'huile végétale.


## SERVICE

---

Aucune pièce de rechange n'est fournie dans l'emballage. Toutes les activités de réparation et de remplacement (comme le remplacement ou la réparation de la lame, la sangle, les composants électriques, les pièces de structure, etc.) doivent être effectués que par des personnes autorisées par le fabricant.

Si vous nécessitez d'une réparation, on vous recommande de retourner la machine au fabricant ou à un centre de service agréé.

Pour plus d'informations sur les centres de services, contactez: [service@berkelinternational.com](mailto:service@berkelinternational.com).

 **ATTENTION! Il est obligatoire de remplacer la lame alors que la distance entre le fil de la lame et le bord interne de la protection dépasse 6mm.**

## GARANTIE ET RESPONSABILITÉ

---

Le fabricant fournit des machines avec une garantie de 24 mois à partir de la date d'achat. La garantie ne couvre que les défauts de fabrication détectés à la suite d'une utilisation appropriée, selon les conditions d'utilisation prévues par le manuel. La garantie ne couvre pas les défauts résultant du transport, de l'incompétence ou de la négligence par l'acheteur, de

mauvaise installation ou positionnement, des dommages d'usure, de tension de plus de 10% de la valeur nominale. En outre, la garantie ne couvre pas les pièces consommables intrinsèquement, telles que la lame et les pierres de l'aiguiseur, sauf dans le cas d'évident défaut de fabrication.

Le fabricant se décharge de toute responsabilité résultant directement ou indirectement de:

- non-respect des instructions contenues dans le manuel du fabricant;
- utilisation non conforme à la législation du pays d'installation;
- modifications et / ou réparations pas autorisée sur la machine;
- utilisation d'accessoires et pièces détachées qui ne sont pas d'origine;
- événements exceptionnels.

Le transfert de propriété de la machine, implique la levée immédiate de toute responsabilité par le fabricant, à l'exception de la conformité avec la directive 2006/42 / CE (responsabilité pour tout défaut de fabrication du produit).

La plaque signalétique sur la base de la machine identifie le fabricant, la machine, les informations techniques et la marque CE.

## DÉMOLITION ET ÉLIMINATION

---

Les machines sont composées de:

- structure en alliage d'aluminium;
- pièces en acier inoxydable;
- câbles et pièces électriques;
- moteur électrique;
- matières plastiques, etc.

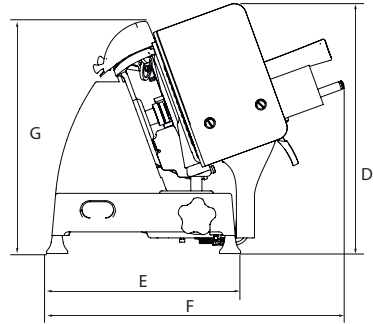
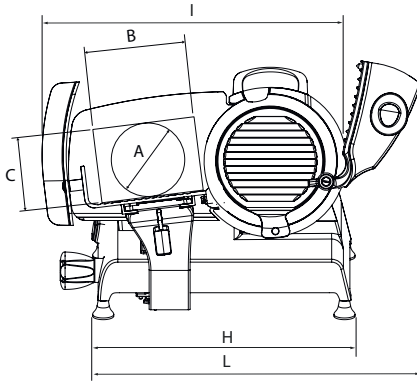
Si le démontage et la démolition

sont confiés à des tiers, contacter uniquement des entreprises spécialisées et autorisées pour la récupération et la démolition des tels matériaux.

L'appareil contient des matériaux qui peuvent être récupérés ou recyclés. Une bonne collecte séparée facilite le recyclage. A la fin de vie du produit déposez votre appareil chez un point de collecte. Vous pouvez obtenir des informations sur la disposition par les autorités locales.

## Résolution problèmes

PROBLÈME	CAUSE PROBABLE	REMÈDE
En appuyant sur le bouton de démarrage, la machine ne démarre pas	Alimentation absente ou circuit de contrôle défectueux	Contrôler que la fiche soit correctement introduite dans la prise, si le problème persiste contacter le centre assistance
En appuyant sur le bouton de démarrage la machine démarre mais le voyant lumineux de fonctionnement ne s'allume pas	Voyant défectueux	Ne pas utiliser la machine avec l'indicateur lumineux éteint. Appeler le service assistance
Résistance excessive à la découpe du produit	La lame n'est pas aiguisée	Aiguiser la lame
La lame sous effort ralentit ou s'arrête	La courroie pourrait être desserrée ou endommagée	Contactez le service assistance pour régler ou remplacer la courroie
En appuyant sur le bouton d'arrêt, la machine ne s'arrête pas	Circuit de commande défectueux	Arrêter immédiatement la machine en débranchant la fiche de la prise de courant et contacter immédiatement le centre assistance
Résistance excessive au mouvement des composants coulissants (presse-aliment, chariot)	Lubrification guides de coulissement non effectuée périodiquement	Effectuer la lubrification périodique



MODÈLE	220	250	300
A	168 mm	178 mm	230 mm
B	185 mm	185 mm	245 mm
C	160 mm	175 mm	225 mm
D	395 mm	395 mm	480 mm
E	320 mm	320 mm	385 mm
F	505 mm	505 mm	475 mm
G	390 mm	390 mm	430 mm
H	435 mm	435 mm	480 mm
I	490 mm	515 mm	635 mm
L	580 mm	570 mm	630 mm
SPÉCIFICATIONS			
Capacité de découpe circulaire	168 mm	178 mm	230 mm
Capacité de découpe rectangulaire	185x160 mm	187x175 mm	245x225 mm
Capacité max. de coupe	14 mm	14 mm	12 mm
Diamètre Lame	220 mm	250 mm	300 mm
Poids	22 Kg	22 Kg	27 kg
Puissance moteur	0,19 kW	0,19 kW	0,31 kW

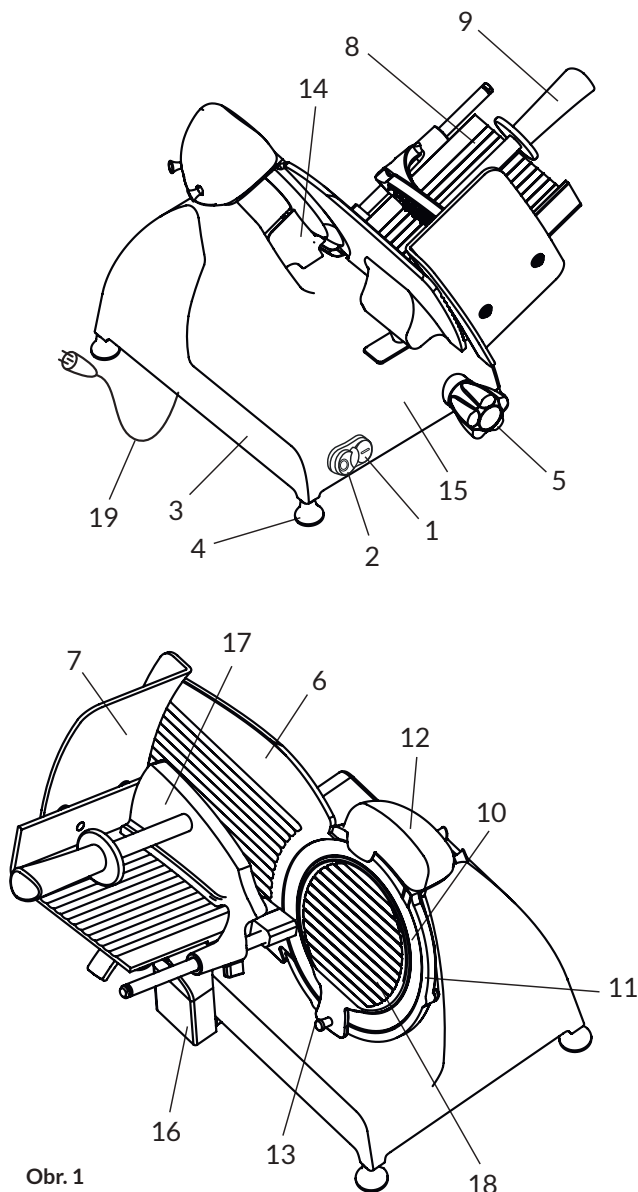
Remarque: En raison de la recherche continue pour améliorer nos produits, les spécifications techniques sont sujettes à des possibles variations.

## NÁVOD K POUŽITÍ: Elektrické kráječe Red Line

## MODELÝ:

RL220, RL250, RL300.

## ČÁSTI STROJE



1. Spouštěcí tlačítko (bílé)
2. Vypínací tlačítko (červené)
3. Identifikační štítek, Technické údaje, Označení CE
4. Nožka
5. Rukojeť na regulaci tloušťky plátky
6. Deska tloušťkoměru (plachta)
7. Bezpečnostní kryt
8. Nosná deska
9. Rukojeť přítlačného prvku
10. Nůž
11. Bezpečnostní kroužek (kryt nože)
12. Brousek
13. Rukojeť krytu nože
14. Kryt plátků
15. Základna
16. Podpěra desky
17. Přítlačný prvek
18. Krycí kotouč nože
19. Napájecí kabel

Obr. 1

## POPIS

---

Kráječ s kruhovou čepelí vhodný pouze pro krájení potravinářských produktů v rámci rozměrových limitů uvedených v této příručce. Hlavní části, z nichž se stroj skládá, jsou znázorněny na obrázku 1. Elektrické schéma je znázorněno na obrázku 2.

## PROHLÁŠENÍ O SHODĚ

---

Přístroj popsaný v této příručce je v souladu se směrnicemi 2006/42/CE - 2006/95/CE - 2004/108/CE a evropskými normami EN 1974:1998 +A1 s ohledem na bezpečnost proti mechanickým rizikům: Kráječ – Specifikace hygieny a bezpečnosti.



## BEZPEČNOST

---

Věnujte pozornost následujícím základním bezpečnostním opatřením:

- před použitím si přečtěte všechny pokyny;
- tento produkt není určen k používání dětmi;
- s přístrojem pracujte pouze za předpokladu důkladného proškolení a v perfektní psychické i fyzické kondici;
- nepoužívejte kráječ jiným způsobem, než je uvedeno v tomto návodu;
- používejte kráječ pouze v plně strukturální, mechanické a systémové efektivitě;
- zařízení instalujte v souladu s pokyny uvedenými v kapitole "Instalace";
- zařízení instalujte na místě mimo dosah nepovolaných osob, zejména mimo dosah dětí a mladistvých;
- během používání zůstaňte vy-

soce koncentrování a vyvarujte se rozptylování;

- nenechte kráječ používat další osoby, které si nenastudovali obsah této příručky;
- během krájení nenoste volné oblečení nebo oblečení s volnými rukávy;
- nedovolte nikomu dalšímu, kromě obsluhy, přiblížit se k přístroji během procesu krájení;
- neodstraňujte, nezakrývejte ani neupravujte značky umístěné na těle přístroje a v případě jejich poškození je neprodleně vyměňte;
- neodstraňujte, neupravujte ani neobcházejte žádná mechanická ochranná zařízení;
- krájejte pouze povolené produkty, nepokoušejte pořezání na zakázaných typech produktů;
- kráječ, okolní pracovní plochu i podlahu udržujte vždy v čistotě a suchu;
- kráječ nepoužívejte jako odkládací plochu a nepokládejte na něj žádné jiné objekty než potraviny, které je potřeba nakrájat;
- nepoužívejte kráječ, přesahuje-li v důsledku běžného opotřebení vzdálenost mezi okrajem čepelě a ochranným kroužkem čepelě 6mm. V tomto případě kontaktujte výrobce nebo jednoho z autorizovaných servisních center pro výměnu čepelě;
- přístroj nepoužívejte s dočasnými nebo neizolovanými kabely, prodlužovacími šňůrami nebo rozdvojkami;
- pravidelně kontrolujte stav napájecího kabelu na těle přístroje. V případě potřeby požádejte kvalifikovaný personál o jeho výměnu;
- v případě poškození, abnormálního provozu, podezření na poruchu, nesprávného pohybu nebo neobvyklých zvuků, okamžitě zastavte stroj;

- před čištěním nebo údržbou vypojte přístroj z elektrické sítě;
- během čištění a údržby používejte ochranné rukavice;
- potraviny, které je třeba nakrájat, pokládejte a odebírejte z posuvné desky pouze za předpokladu, že je vozík zcela stažen a s knoflíkem pro regulaci síly plátku v bezpečné pozici (pozice 0) (Obr. A);
- pro pohyb posuvné desky během krájení používejte pouze rukojeť umístěnou na rameni přístroje nebo úchyt produktu;
- během krájení nikdy nepokládejte ruce na potraviny. Vždy držte ruce za ochranným zařízením a co nejdále od čepelě;
- je zakázáno používat doplňky ke krájení, které nejsou poskytnuté výrobcem.

Výrobce odmítá jakoukoliv odpovědnost vyplývající z nevhodného používání, úprav a/nebo oprav prováděné uživatelem nebo neautorizovanou osobou, použití náhradních dílů, které nejsou originální nebo konkrétní pro daný model přístroje.

Stroj nesmí být používán v otevřených prostorách a/nebo v prostoru, který je vystaven povětrnostním vlivům a v prostředí par, kouře nebo korozivních a/nebo abrazivních prachů, při riziku vzniku požáru nebo výbuchu a v každém jiném případě, kde je vyžadováno využívání nevybušných složek.

Podmínky používání:


- Teplota od -5°C do +40°C
- Maximální vlhkost 95%

NEKRÁJEJTE:

- zmrzlé potravinářské produkty;
- potravinářské produkty s kostí;
- jakýkoliv jiný výrobek, který není určen pro použití v potravinách.


## ZBYLÁ RIZIKA

Ačkoliv je bezpečnostní kroužek vyroben v souladu s evropskými normami EN 1974:1998 +A1but, aby bylo možné další broušení čepel, nemusí ochrana v oblasti ostření zcela eliminovat riziko pořezání.

 **POZOR!** Během čištění a broušení čepel věnujte zvýšenou pozornost, aby se Vaše ruce držely co nejdále od nechráněné oblasti. Doporučujeme použít ochranné rukavice.

## INSTALACE PŘÍSTROJE

Přístroj instalujte na rovný, hladký a suchý povrch vhodný pro udržení hmotnosti přístroje vč.váhy krájených produktů.


 **POZOR:** Ověřte si, že při pohybu s posuvnou deskou a při nakládání produktu neexistují žádné překážky.

Přístroj musí být instalován v bezprostřední blízkosti standardní zásuvky připojené k systému elektrického napájení, který je v souladu s předpisy:

- magneto-termická ochrana;
- automatický diferenciální spínač;
- systém uzemnění.

Před provedením elektrického připojení ověřte, že vlastnosti elektrického napájení jsou v souladu s požadavky uvedenými na informačním štítku stroje.

## POUŽITÍ

 **POZOR! Ostrý nůž, nebezpečí pořezání!** Zkontrolujte, zda je knoflík pro regulaci síly plátku (5) v bezpečné pozici (pozice 0) (Obr. A).

1. Zcela stáhněte posuvnou desku (8) směrem k obsluze do pozice nakládání (Obr. L);

2. nadzvedněte úchyt produktu (17) do pohotovostní pozice;


3. produkt, který potřebujete nakrát, umístěte na posuvnou desku, blízko ke straně obsluhy. Upevněte uchýtem produktu lehkým zatlačením;


4. upravte sílu plátku. Aktivujte čepel (10) stisknutím tlačítka start. Uchopte rukojeť úchytu produktu (9) a začněte se zástupným krájícím pohybem;

5. po dokončení krájení vraťte knoflík pro regulaci síly plátku do bezpečné pozice a zatáhněte posuvnou desku zpět. Pohyb čepel zastavte stisknutím tlačítka stop (2).

## ČIŠTĚNÍ

Před použitím. Přístroj čistěte alespoň jednou denně nebo i častěji – pokud je nezbytné – a vždy před použitím po dlouhé době nečinnosti.

 **POZOR!** Před čištěním vyjete zástrčku ze zásuvky a knoflík pro regulaci síly plátku umístěte do bezpečnostní polohy.

 **POZOR! Ostrý nůž, nebezpečí pořezání!** Zkontrolujte, zda je knoflík pro regulaci síly plátku (5) v bezpečné pozici (pozice 0) (Obr. A).

Čistící produkty:

používejte pouze vodu a biologicky odbouratelný jemný čistící prostředek, měkký hadřík nebo houbu a polotuhý nylonový kartáč na ostré plochy desky a držáky produktu. Nemyjte stroj proudy vody nebo párou nebo podobnými metodami.

Demontáž:

- pohyblivá deska (pouze pro

stroje vybavené odnímatelným mechanismem pohyblivé desky):

- 1) s knoflíkem pro regulaci síly plátku v bezpečné poloze, zcela stáhněte vozík směrem k obsluze; 2) uvolněte páčku posuvné desky k udržení stažené polohy za účelem uvolnění posuvné desky z podstavce; Pro správné provedení operace může být nutné současně lehce otáčet knoflíkem pro regulaci síly plátku s ohledem na bezpečnostní polohu; 3) vytáhněte držák produktu vysunutím posuvné desky z podstavce (Obr. B);

- kryt čepel:


- 1) otočte krytem čepel o 90° proti směru hodinových ručiček pomocí speciálního knoflíku; 2) pružina usnadňuje vytažení krytu čepel (Obr. C);

- deflektor krájení:

odstraňte deflektor krájení následováním značení na obrázku (Obr. D);

- brousek:

odstraňte brousek do jednotky směrem nahoru (Obr. E).

 **POZOR! Ostrý nůž, nebezpečí pořezání!** Při čištění ostrých ploch desky, držáku produktu a čepel, doporučujeme používat ochranné rukavice.

Čištění:

- čepel: stiskněte vlhký hadřík na povrchu čepel a pomalu otřete ze středu směrem ven ke straně krytu ostří a na opačnou stranu (Obr. F). Stejným způsobem osušte suchým hadříkem. NIKDY přístroj během čištění čepel nezapínejte;

- bezpečnostní kroužek: použijte jemný kartáč k očištění prostoru mezi čepelí a bezpečnostním kroužkem. Buďte opatrní a NEPŘIBLIŽUJTE ruce k čepelí;

- tělo stroje: použijte vlhký



hadřík nebo houbu, často oplachujte teplou vodou. Pečlivě osušte.

Smontování:

- brousek:

vložte brousek do jednotky, jak je znázorněno na obrázku (Obr. G), dokud se nezastaví ve správné poloze;

- deflektor krájení:

usadte deflektor krájení (Obr. H);

- krytka čepele:

namontujte kryt na nože a otáčejte o 90° ve směru hodinových ručiček, dokud nezapadne do své původní polohy (Obr. I);

- posuvná deska (pouze pro stroje vybavené odnímatelným mechanismem posuvné desky):

vložte posuvnou desku na vozík, zkontrolujte, zda se jističí páka vrátila do původní polohy, ověřte, zda vozík volně klouže a zkontrolujte správnou funkci knoflíku k regulaci síly plátku.

## ÚDRŽBA

### Broušení čepele

Frekvence a trvání broušení závisí na používání zařízení.

Pro broušení následujte pokyny:

1. knoflík pro regulaci síly plátku umístěte do bezpečnostní polohy (Obr. A);
2. zcela stáhněte posuvnou desku (Obr. L);
3. nadzvedněte brousek (Obr. M) a otočte ho do požadované polohy pro ostření (Obr. N);
4. uvolněte brousek;
5. aktivujte čepel stisknutím tlačítka start;
6. ostření čepele vykonávejte stisknutím tlačítka pružiny po dobu 10-15 sekund (Obr. O - 1);
7. uvolněte výše uvedená tlačítka;
8. zatáhněte a podržte tlačítko

pružiny po dobu 2-3 sekund a uvolněte tlačítko (Obr. O - 2);

9. zastavte pohyb čepele stisknutím tlačítka stop;

10. nadzvedněte brousek a otočte jej do jeho původní polohy;

11. uvolněte jej až na doraz;


12. pokračujte v čištění kráječe.

### Mazání

Po pravidelném používání, může být nezbytné promazat vozík. Doporučujeme opakovat tento postup každých 3 měsíců. Pro mazání používejte pouze oleje bez kyselin (doporučujeme mazání vazelína). Nepoužívejte rostlinný olej.

### SERVIS

Uvnitř přístroje se nenachází žádné uživatelsky opravitelné součásti. Svěřte kvalifikovaným osobám. Veškeré opravy a náhrady (jako výměna čepele, výměna motorového řemene, výměna komponentů elektrických systémů, opravy konstrukčních dílů, oprava a/nebo náhrada komponentů základové desky) musí být provedeny výhradně výrobcem pověřenou osobou. V případě, že je potřeba provést servis, můžete kráječ vrátit výrobci nebo předat centru autorizovaného servisu. Pro informace o servisních střediscích nás kontaktujte na: [service@berkelinternational.com](mailto:service@berkelinternational.com).

 **POZOR! Výměna čepele je povinná v případě, že vzdálenost mezi okrajem čepele a vnitřního okraje krytu přesahuje 6 mm.**

### ZÁRUKA A ODPOVĚDNOST

Výrobce dodává přístroj s omezenou zárukou 24 měsíců od data nákupu. Záruka se vztahuje

pouze na závady vzniklé za podmínek určeného použití, během správné manipulace. Záruka se nevztahuje na vady vzniklé způsobem dopravy, nedbalostí kupujícího, nesprávnou instalací, neoprávněnými zásahy nebo v případě přirozeného opotřebení nebo při kolísání napětí vyšším než 10% jmenovité hodnoty. Kromě toho se záruka nevztahuje na komponenty podléhající opotřebení, jako jsou například čepele a brousky s výjimkou zjevné výrobní vady.

Výrobce odmítá jakoukoli přímou i nepřímou odpovědnost pocházející z:

- Nedodržení pokynů uvedených v tomto návodu k obsluze;

- Použití, které není v souladu se zvláštními předpisy v zemi instalace;

- Neoprávněné modifikace a / nebo opravy prováděné na stroji;

- Používání neoriginálních doplňků a náhradních dílů;

- Mimořádných událostí.

Převod vlastnictví přístroje automaticky zbavuje výrobce odpovědnosti za příslušný přístroj.

Identifikační štítek zespolu desky označuje výrobce, přístroj a technické informace a CE.

### LIKVIDACE KRÁJEČE

Mechanika se skládá z:

- hliník/litinová struktura;
- klíny a součástky z nerezové oceli;
- elektrické části a elektrické kabely;
- elektrický motor;
- plastový materiál, atd.

V případě, že demontáž a likvidaci svěřujete třetí straně, využijte pouze autorizované společnosti s povolením likvidovat výše uvedený materiál.

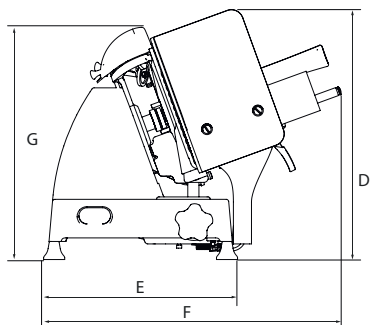
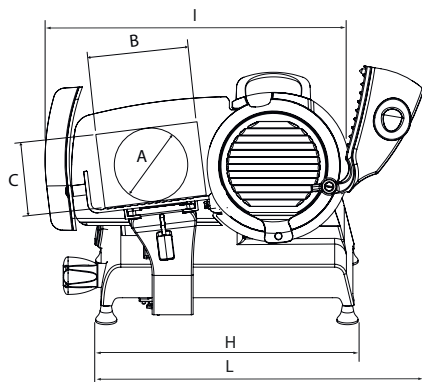
Přístroj je v souladu se směrnicí EU 2012/19/UE. Balící materiály

a zařízení obsahují recyklovatelné materiály. Váš spotřebič obsahuje hodnotné materiály, které mohou být získány zpět nebo je lze recyklovat. Dělení zbývajících odpadních materiálů usnadňuje recyklaci cenných surovin. Zařízení ponechte na sběrném místě. Informaci o likvidaci můžete získat od lokálního úřadu.

## Řešení problémů

PROBLÉM	PRAVDĚPODOBNÁ PŘÍČINA	ODSTRANĚNÍ PROBLÉMU
Stroj se po stisknutí spouštěcího tlačítka nespustí	Výpadek napájení nebo vadný kontrolní okruh	Zkontrolujte, zda je správně vložena zástrčka; pokud problém přetrvává, kontaktujte servisní středisko
Po stisknutí spouštěcího tlačítka se stroj spustí, ale nerozsvítí se světelná kontrolka signalizující uvedení do chodu	Vadná kontrolka	Nepoužívejte stroj, pokud světelná kontrolka nesvítí. Obratě se na servisní středisko
Výrobek při krájení vyvíjí příliš velký odpor	Nůž není nabroušený	Nabruste nůž
Nůž se při krájení zpomaluje nebo se zastaví	Může být uvolněný nebo poškozený řemen	Pro úpravu nebo výměnu řemenu kontaktujte servisní středisko
Stroj se po stisknutí vypínacího tlačítka nevypne	Vadný řídicí okruh	Okamžitě stroj vypněte a vytáhněte zástrčku ze sítě; okamžitě se obraťte na servisní středisko
Příliš velký odpor při pohybu posuvných komponentů (přítlačného prvku, posuvného suportu)	Mazání vodicích prvků není prováděno pravidelně	Provádějte mazání pravidelně

## PODROBNÉ TECHNICKÉ ÚDAJE



MODEL	220	250	300
A	168 mm	178 mm	230 mm
B	185 mm	185 mm	245 mm
C	160 mm	175 mm	225 mm
D	395 mm	395 mm	480 mm
E	320 mm	320 mm	385 mm
F	505 mm	505 mm	475 mm
G	390 mm	390 mm	430 mm
H	435 mm	435 mm	480 mm
I	490 mm	515 mm	635 mm
L	580 mm	570 mm	630 mm
SPECIFIKACE			
Výkon při kruhovém řezání	168 mm	178 mm	230 mm
Výkon při obdélníkovém řezání	185x160 mm	187x175 mm	245x225 mm
Maximální tloušťka plátku	14 mm	14 mm	12 mm
Průměr nože	220 mm	250 mm	300 mm
Hmotnost	22 Kg	22 Kg	27 kg
Výkon motoru	0,19 kW	0,19 kW	0,31 kW

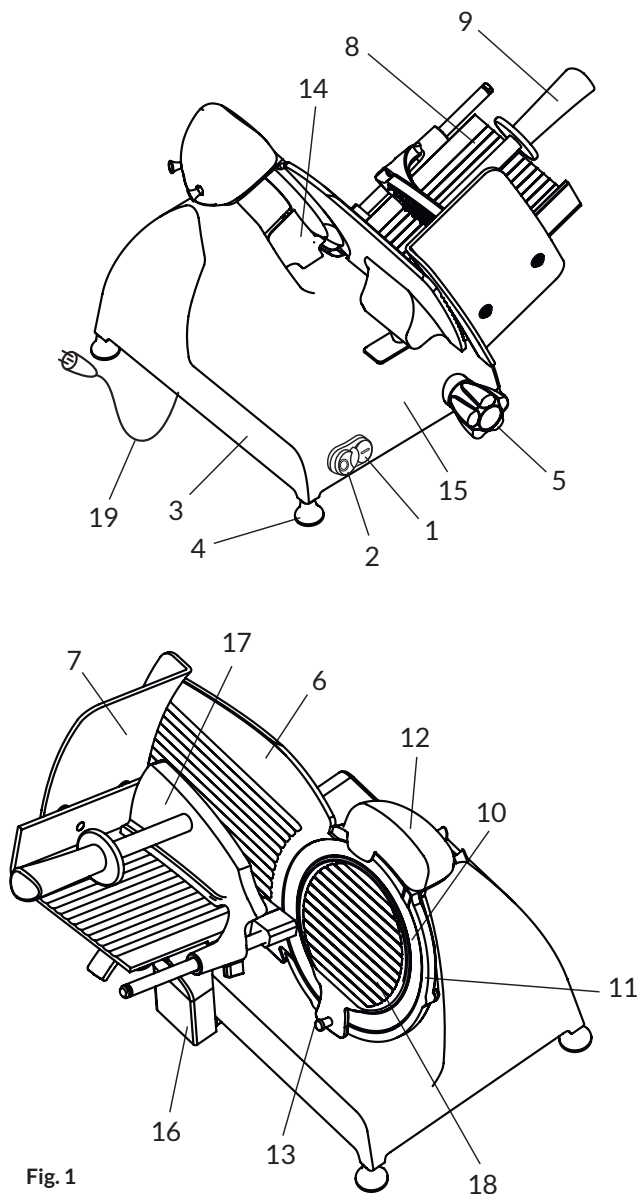
Poznámka: V důsledku neustálého výzkumu neustále zlepšovat naše výrobky, technické specifikace jsou předmětem možných variací.

## BETJENINGSVEJLEDNING: Elektriske slicere Red Line

### MODELLER:

RL220, RL250, RL300.

### MASKINDELE



1. Startknap (hvid)
2. Stopknap (rød)
3. Typeskilt, Tekniske specifikationer, CE-mærke
4. Fod
5. Håndtag til regulering af skivetykkelse
6. Breddemåler (stopplade)
7. Sikkerhedsafskærmning
8. Plade til produkt
9. Håndtag på pigplade
10. Klinge
11. Sikkerhedsring (klingebeskytter)
12. Slibeordination
13. Håndtag på klingeafskærmning
14. Skiveføring
15. Base
16. Pladestøtte
17. Pigplade
18. Skive til knivsafdækning
19. Strømforsyningskabel

Fig. 1

## BESKRIVELSE

---

Professionelle slicere med rund klinge, designede til udskæring af fødevarer af den type og med de størrelser, som er anført i denne betjeningsvejledning. Maskinens vigtigste dele er illustreret i figur 1. El-diagrammet er vist i figur 2.

## OVERENSSTEMMELSESKLÆRING

---

Maskinerne, som er beskrevet i denne betjeningsvejledning, er i overensstemmelse med direktiv 2006/42/EF, 2006/95/EF, 2004/108/EF, 2003/108/EF, 2011/65/EF, forordningen (EF) 1935/2004 samt de tilhørende standarder EN 1974:1998 +A1, EN60204-1, EN60335-1, EN60335-2-64.



## SIKKERHED

---

Af hensyn til din sikkerhed, bør du følge disse anvisninger:

- Læs nøje alle instruktioner, før du tager maskinen i brug;
- Produktet er ikke beregnet til brug af børn;
- Brug kun maskinen, hvis du har tilstrækkelig uddannelse og er i perfekt psyko-fysisk tilstand;
- Brug aldrig maskinen på andre måder end som anvist i denne betjeningsvejledning;
- Installér maskinen i overensstemmelse med instruktionerne i afsnittet "Installation";
- Installér maskinen på et sted, som er uden for andet personales rækkevidde, der ikke benytter maskinen, navnlig mindreårige;
- Vær koncentreret, når du benytter maskinen, og sørg for

ikke at blive distraheret under brug;

- Lad ikke personale, som ikke har læst og forstået indholdet i denne betjeningsvejledning, benytte maskinen;
- Bær ikke løstsiddende tøj eller med åbne manchetter;
- Tillad aldrig, at andre end operatøren nærmer sig maskinen, mens produktet skæres;
- Fjern, tildæk eller manipuler aldrig med skiltene på maskinen, og sørg for, at de omgænde bliver udskiftet, hvis de er defekte;
- Fjern aldrig de gennemsigtige beskyttelsesværn, og manipuler eller tilsidesæt aldrig de mekaniske eller elektriske sikkerhedsanordninger;
- Skær kun de tilladte produkter; forsøg aldrig at skære i produkter, som ikke er tilladt;
- Hold altid området, hvor det afskårne produkt lægges ned, hele arbejdsområdet omkring maskinen og gulvet rent og tørt;
- Brug ikke maskinen som støtte, og læg aldrig genstande på maskinen, som ikke anvendes til skæringen;
- Brug ikke sliceren, når afstanden mellem klingens kant og ringen på klingens sikkerhedsværn er mere end 6 mm. Hvis dette er tilfældet skal producenten eller et af de autoriserede servicecentre tilkaldes for at udskifte klingens;
- Brug ikke maskinen med elektriske forlængerledninger, midlertidige eller uisolerede kabler;
- Kontroller regelmæssigt strømforsyningskablets tilstand og kabelholderen på maskinen. Udskift omgående i tilfælde af slid eller defekter. Ret i dette tilfælde henvendelse til kvalificeret personale;

- Stop omgående maskinen i tilfælde af fejlfunktioner, mistanke af defekter, forkerte bevægelser, usædvanlige lyde;
- Før maskinen gøres rent eller vedligeholdes, skal den afbrydes fra lysnettet;
- Brug beskyttelsehandsker, når du gør maskinen rent;
- Læg kun produktet, som skal skæres, på slæden, når den er trukket helt tilbage, og med snittykkelsens reguleringshåndtag i sikkerhedsposition (Fig. A);
- Brug håndtaget på armen eller skubbegrebet til at føre slæden frem og tilbage, når der snittes;
- Det er ikke tilladt bruge andet tilbehør til sliceren end det, som er leveret af maskinens producent sammen med maskinen.

Producenten fralægger sig ethvert direkte og inddirekte ansvar som skyldes forkert brug, uautoriserede ændringer og/eller reparationer udført på maskinen og brug af ikke-originalt tilbehør og reservedele. Maskinen må ikke anvendes i udendørs omgivelser og/eller udsættes for vejrlig eller anvendes i miljøer med damp, røg eller korroderende og/eller ridsende støv, brand- eller eksplosionsfarlige miljøer, eller hvor brugen af eksplosionssikre komponenter er påbudt.

Kan anvendes i omgivelser med:

- Temperaturer fra -5° C til +40° C
- Luftfugtighed maks. 95%

SNIT ALDRIG:

- dybfrosne fødevarer;
- frosne fødevarer;
- fødevarer med knogler (kød og fisk);
- ethvert andet produkt, som

ikke er fødevarer.

**!** **ADVARSEL!** Motoren kan overophede! Efter 15 minutters uafbrudt brug skal maskinen slukkes og motoren afkøle.

Sikkerhedsringen omkring klingen er fremstillet i overensstemmelse med den europæiske standard EN 1974:1998 + A1. Dette eliminerer dog ikke helt risikoen for skæring.

**!** **ADVARSEL!** Når klingens gøres rent og slibes, er det nødvendigt at være meget forsigtig og holde hænderne så langt som muligt borte fra området, som ikke er beskyttet. Det anbefales at bruge beskyttelseshandsker.

## INSTALLATION

Installér maskinen på en plan og glat overflade, tør og egnet til at bære vægten af selve maskinen samt fødevarerne, som skal snittes.

**!** **ADVARSEL:** Kontrollér, at der ikke er forhindringer for slædens bevægelse og placeringen af produkterne, som skal snittes, på slæden.

Maskinen skal være installeret i umiddelbar nærhed af en stikkontakt, som opfylder EØS-betingelserne. Stikket skal være afledt fra et anlæg, som opfylder betingelserne i de gældende standarder, og være udstyret med:

- termomagnetisk sikring;
- automatisk differentialafbryder;
- jordforbindelse.

Inden strømforsyningen sluttes til maskinen er det nødven-

digt at kontrollere, at specifikationerne svarer til dem, som er anført på maskinens typeskilt.

## BRUG AF SLICEREN

**!** **ADVARSEL! Skarp klinge, skærefare!** Kontrollér, at håndtaget, som regulerer skivetykkelsen (5) er sikkerhedspositionen (position 0) (Fig. A).

1. Træk slæden (8) helt tilbage mod operatøren i positionen, hvor produktet lægges på (Fig. L);
2. Løft pigpladen (17), som holder produktet fast;
3. Læg produktet, som skal skæres, ud for pladens kant på operatørsiden. Blokér produktet med pigpladen ved hjælp af et let tryk;
4. Regulér skivetykkelsen. Start klingens (10) ved at trykke på kontakten. Grib fat i håndtaget på pressen (9), og begynd at skære med en frem- og tilbagegående bevægelse;
5. Når du er færdig med at skære, bringes håndtaget, som regulerer tykkelsen, igen i sikkerhedsposition, og slæden trækkes tilbage. Sluk for klingens ved at trykke på kontakten (2).

## RENGØRING

Sørg for omhyggelig rengøring af maskinen. Når maskinen anvendes, skal den rengøres mindst én gang om dagen eller oftere, hvis nødvendigt. Efter en periode med inaktivitet anbefales det at gøre maskinen rent, før den igen tages i brug.

**!** **ADVARSEL! Fare for elektrisk stød!** Træk stikket ud af strømforsyningskontakten, og bring håndtaget, som regulerer tykkelsen, i sikkerhedsposition, før maskinen gøres rent.

**!** **ADVARSEL! Skarp klinge, skærefare!** Kontrollér, at håndtaget, som regulerer skivetykkelsen (5) er sikkerhedspositionen (position 0) (Fig. A).

Rengøringsmidler:

Brug udelukkende vand og bionedbrydeligt, skummende opvaskemiddel, en blød klud og svamp eller halvstiv nylonbørste til pladen og pigpladen. Gør aldrig maskinen rent med vand- eller dampstråler eller tilsvarende metoder.

Fortsæt med at fjerne:

- slæden (kun for maskiner, som er udstyret med mekanisme til at fjerne slæden):

- 1) Ved hjælp af håndtaget, som regulerer tykkelsen, trækkes pladestøtten helt tilbage mod operatøren til endestoppet; 2) brug håndtaget til at udløse slæden ved at holde pladestøtten fast mod endestoppet og frigøre slæden fra støttepladen. Det kan være nødvendigt samtidigt at dreje håndtaget, som regulerer skivetykkelsen, en anelse i forhold til sikkerhedspositionen for at udføre handlingen korrekt; 3) træk pladeenheden til produkter væk ved at trække den ud af holderen (Fig. B);

- klingeafskærmning:

- 1) drej klingeafskærmningen 90° mod uret ved hjælp af det lille håndtag; 2) en fjeder gør det nemmere at fjerne afskærmningen (Fig. C);

- skiveføring:

fjern skiveføringen ved at følge retningen, som er angivet på figuren (Fig. D);

- slibeanordning:

fjern slibegruppen helt ved at trække den opad (Fig. E).

**⚠ ADVARSEL! Skarp klinge, skærefare!** Brug beskyttelseshandsker når området omkring strygestålet, pladen, pigpladen og klingens skal gøres rent.

Fortsæt med rengøring af:

- klingen: tryk en fugtig klud mod klingens overflade på siden med klingeafskærmningen og den modsatte side, og før den langsomt i en bevægelse fra midten mod kanten, sådan som vist i figuren (Fig. F). Tør klingen på samme måde med en tør klud;
- sikkerhedsring: brug en halvstiv nylonbørste til at gøre området mellem klingens og sikkerhedsringen rent;
- maskinhuset: gør maskinhuset rent med en fugtig klud eller svamp, som skylles under rindende vand. Tør omhyggeligt.

Fortsæt til sidst med at genmontere:

- slibeanordning: sæt slibegruppen ind som vist i figuren (Fig. G), til den sidder korrekt fast i lejet;
- skiveføring: placér skiveføringen omhyggeligt som vist i figuren med skiveføringen (Fig. H);
- klingeafskærmning:
  - 1) genmonter klingeafskærmningen som vist i figuren;
  - 2) drej klingeafskærmningen 90 grader mod uret, indtil den er låst i den oprindelige position (Fig. I);
- slæden (kun for maskiner, som er udstyret med mekanisme til at fjerne slæden): sæt pladen på slæden og kontrollér, at låsehåndtaget glider på plads i den oprindelige position. Kontrollér, at håndtaget, som regulerer

skivetykkelsen, fungerer korrekt, og at slæden glider frit.

## VEDLIGEHOJDELSE

---

### Slibning af klingens

Det afhænger af brugen, hvor længe klingens holder sig skarp, og hvor ofte den skal slibes.

**⚠ ADVARSEL!** Hvis maskinen er udstyret med indbygget slibeanordning skal instruktionerne følges omhyggeligt. I modsat fald skal producenten eller et af de autoriserede servicecentre tilkaldes for at udskifte klingens (se SERVICE).

Følg disse trin for at slibe klingens:

1. Placér håndtaget, som regulerer skivetykkelsen, i sikkerhedsposition (Fig. A);
2. Træk slæden med pladeenhed helt tilbage (Fig. L);
3. Løft slibegruppen (Fig. M), drej den for at placere den i slibeposition (Fig. N);
4. Udløs slibeanordningen;
5. Start klingens ved at trykke på startknappen;
6. Begynd at slibe klingens ved at holde fjederknappen trykket i 10-15 sekunder (Fig. O - 1);
7. Slip knappen;
8. Træk i finish-knappen, og hold den trukket i ca. 2-3 sekunder (Fig. O - 2);
9. Slip knappen;
10. Stands klingens bevægelse ved at trykke på stopknappen;
11. Løft slibeanordningen, og drej den til den oprindelige position;
12. Slip, indtil den stopper;
13. Fortsæt med rengøring af maskinen.

### Smøring

Det kan være nødvendigt at

smøre slædens køreskinner med regelmæssige mellemrum. Vi anbefaler altid at udføre smøring hver 3. måned uafhængigt af brugen. Brug kun syrefri olie (vi anbefaler vaselineolie). Brug aldrig vegetabiliske olier.

## ASSISTANCE

---

Der følger ikke reservedele med leveringen. Al reparation og udskiftning af dele (f.eks. klinge, drivrem, elektriske komponenter, strukturelle dele) må udelukkende udføres af producentens autoriserede personale.

Hvis reparation er nødvendig, anbefales det at returnere maskinen til producenten eller et autoriseret servicecenter.

Oplysninger om servicecentre kan fås ved henvendelse til: [service@berkelinternational.com](mailto:service@berkelinternational.com).

**⚠ ADVARSEL! Klingens skal udskiftes, når afstanden mellem selve klingens kant og afskærmningen indvendige kant overstiger 6 mm.**

## GARANTI OG HÆFTELS

---

Producenten leverer maskinerne med en garanti på 24 måneder med start fra købsdatoen. Garantien omfatter kun defekter, som opstår i forbindelse med korrekt brug og ved overholdelse af instruktionerne i betjeningsvejledningen. Garantien dækker ikke skader opstået som følge af transporten eller køberens uagtsomhed, forkert installation eller placering, skader som følge af slid eller forsyningsspænding, som overskrider den nominelle værdi med mere end 10%. Desuden dækker garantien

ikke sliddele som f.eks. klinge og fjedrene i slibeanordningen med undtagelse af tydelige fabrikationsfejl.

Producenten fralægger sig ethvert ansvar for direkte og indirekte skader som følge af:

- manglende overholdelse af instruktionerne i denne betjeningsvejledning;

- brug af maskinen i uoverensstemmelse med bestemmelser og standarder gældende i landet, hvor maskinen er installeret;

- uautoriserede ændringer og/eller reparationer på maskinen;

- brug af ikke-originale reservedele og tilbehør;

- usædvanlige begivenheder.

Overførsel af ejendomsretten til maskinen medfører øjeblikket ophør af ethvert ansvar for producenten med undtagelse af bestemmelserne i direktiv

2006/42/EF (ansvar for enhver fabrikationsfejl i produktet).

Maskinens typeskilt indeholder oplysninger om producent, maskine, tekniske specifikationer og CE-mærkning.

## AFMONTERING OG BORTSKAFFELSE

Maskinen består af:

- aluminiumslegering;

- diverse indsatser og komponenter i rustfrit stål;

- elektriske komponenter og ledninger;

- elektrisk motor;

- plast osv.

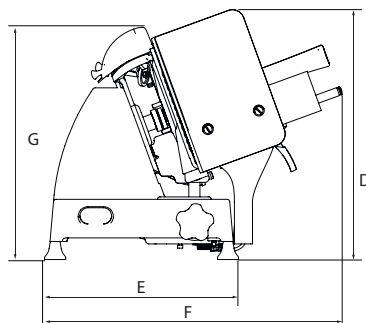
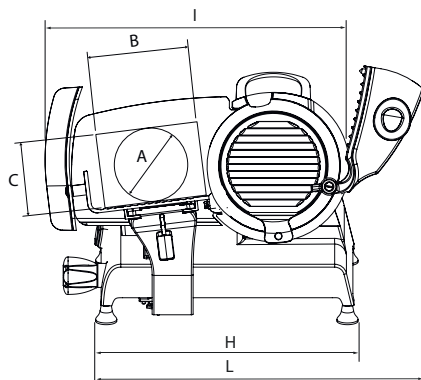
Hvis opgaven overdrages til tredjemand, bør der kun anvendes autoriserede renovationselskaber til bortskaffelse af de ovennævnte materialer. Indeholder materialer, som

kan genbruges eller genindvindes. En korrekt sortering inden bortskaffelsen gør genbrug og genindvinding nemmere. Når maskinens levetid er afsluttet, skal den afleveres til et indsamlingssted. De lokale myndigheder kan bistå med oplysninger om bortskaffelse.

## Afhjælpning af fejl

PROBLEM	MULIG ÅRSAG	AFHJÆLPNING
Maskinen starter ikke, når der trykkes på startknappen	Strømforsyning mangler, eller styrekredsløbet er defekt	Kontrollér, som stikket er sat korrekt i stikkontakten. Hvis problemet fortsætter, skal servicecenteret kontaktes
Maskinen starter, når der trykkes på startknappen, men funktionsindikatoren tænder ikke	Defekt lysindikator	Brug ikke maskinen med slukket lysindikator Kontakt servicecenteret
For stor modstand, når produktet skæres	Klingen er ikke skarp	Slib klingen
Klingen standser eller bremser, når der skæres	Drivremmen kan være slap eller beskadiget	Kontakt servicecenteret for at få reguleret eller udskiftet remmen
Maskinen standser ikke, når der trykkes på stopknappen	Defekt styrekredsløb	Stands omgående maskinen ved at trække stikket ud af stikkontakten, og kontakt omgående servicecenteret
For stor modstand, når glidekomponenterne bevæges (pigplade, slæde)	Glideskinnerne er ikke blevet smurt regelmæssigt	Smør skinnerne regelmæssigt



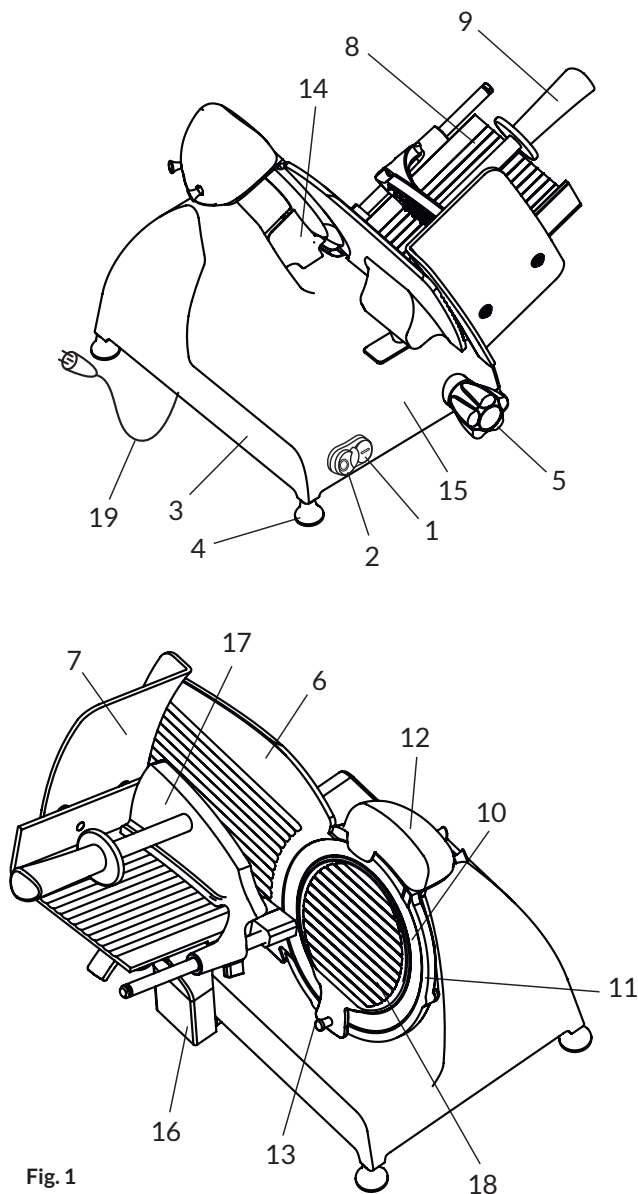


MODELLER	220	250	300
A	168 mm	178 mm	230 mm
B	185 mm	185 mm	245 mm
C	160 mm	175 mm	225 mm
D	395 mm	395 mm	480 mm
E	320 mm	320 mm	385 mm
F	505 mm	505 mm	475 mm
G	390 mm	390 mm	430 mm
H	435 mm	435 mm	480 mm
I	490 mm	515 mm	635 mm
L	580 mm	570 mm	630 mm
SPECIFIKATIONER			
Kapacitet rundskæring	168 mm	178 mm	230 mm
Kapacitet lineær skæring	185x160 mm	187x175 mm	245x225 mm
Maks. skivetykkelse	14 mm	14 mm	12 mm
Klindediameter	220 mm	250 mm	300 mm
Vægt	22 Kg	22 Kg	27 kg
Motoreffekt	0,19 kW	0,19 kW	0,31 kW

Bemærk: Som et resultat af løbende forskning til løbende at forbedre vores produkter, tekniske specifikationer kan mulige variationer.

## MODELOS:

RL220, RL250, RL300.



## COMPONENTES PRINCIPALES

1. Botón de encendido (blanco)
2. Botón de apagado (rojo)
3. Placa de identificación, datos técnicos, marca CE
4. Pie de apoyo
5. Perilla de regulación espesor de la loncha
6. Placa calibradora de espesor (tabique)
7. Protección de seguridad
8. Plato carro
9. Brazo sujetador de alimentos
10. Cuchilla
11. Aro protector de la cuchilla (cubrefilo)
12. Afilador
13. Manivela cubre cuchilla
14. Paralonchas
15. Basamento
16. Soporte del plato
17. Sujetador de alimentos
18. Disco paracuchilla
19. Cable de alimentación

Fig. 1

## DESCRIPCIÓN

---

Máquina cortadora de cuchilla circular diseñada para rebanar solamente los tipos de productos alimenticios y en las dimensiones máximas indicadas en este manual. Las piezas principales de la máquina se han representado en la figura 1. El esquema eléctrico en la figura 2.

## DECLARACIÓN DE CONFORMIDAD

---

Las máquinas descritas en este manual cumplen con las Directivas 2006/42/CE, 2006/95/CE, 2004/108/CE, 2003/108/CE, 2011/65/CE, con el reglamento europeo (EC) 1935/2004 y con los relativos estándar como EN 1974:1998 +A1, EN60204-1, EN60335-1, EN60335-2-64.



## SEGURIDAD

---

Para su seguridad, siga las siguientes instrucciones:

- lea todas las instrucciones antes de usar la máquina;
- este producto no está diseñado para ser utilizado por menores de edad;
- utilice la máquina sólo si se encuentra debidamente entrenado y en perfectas condiciones físicas y mentales;
- no use la máquina de forma alguna que no sea la indicada en este manual;
- use la máquina solamente si ésta se encuentra en perfectas condiciones estructurales, mecánicas y de eficiencia;
- instale la máquina en conformidad con las instrucciones indicadas en la sección "Instalación" de este manual;

- instale la máquina en una ubicación fuera del alcance de personas no autorizadas para operarla, especialmente de menores de edad;
- mantenga una alta concentración y evite distracciones al momento de usar la máquina;
- no permita que la máquina sea utilizada por personas que no han leído y entendido claramente el contenido de este manual;
- no utilice vestimenta demasiado holgada o con mangas abiertas;
- no permita que ninguna persona, además del operario, se acerque mientras la máquina se encuentra funcionando;
- no remueva, cubra o modifique las etiquetas informativas que se encuentran en la estructura de la máquina y, en caso de daño, reemplácelas inmediatamente;
- no remueva las cubiertas transparentes y no modifique ningún dispositivo de protección mecánico y/o eléctrico;
- corte solamente aquellos productos alimenticios del tipo permitido en este manual, no intente cortar ningún tipo de producto no permitido;
- siempre mantenga limpia y seca la superficie de apoyo del producto a cortar, así como el área alrededor de la máquina y el piso en donde se encuentra el operario;
- no use la máquina como superficie de apoyo y no coloque en ella ningún objeto distinto a los productos alimenticios a ser cortados;
- no utilice la máquina cuando, como resultado del desgaste, la distancia entre el filo de la cuchilla y el anillo protector de la cuchilla exceda de 6 mm. En este caso, contacte Van Berkel

USA, Inc. para reemplazar la cuchilla;

- no utilice la máquina con extensiones eléctricas, cables eléctricos temporales o sin aislante;
- periódicamente revise las condiciones del cable eléctrico que alimenta la máquina. Cuando sea necesario, solicite que personal calificado lo reemplace;
- inmediatamente suspenda el funcionamiento de la máquina en caso de una operación anormal, defectuosa, con movimientos incorrectos y/o ruidos extraños;
- desconecte la máquina de la red eléctrica antes de limpiarla o darle mantenimiento;
- use guantes protectores durante la limpieza y el mantenimiento de la máquina;
- coloque o remueva los productos alimenticios a ser cortados solamente cuando la tabla o plato deslizante se encuentre completamente retraído y la perilla de ajuste del espesor de corte se encuentre en la posición de seguridad (en la posición 0) (Fig. A);
- para el movimiento de la tabla o plato deslizante durante las operaciones de corte use solamente la manija ubicada sobre el brazo o sujetador de alimentos;
- en ningún momento coloque sus manos sobre el producto alimenticio cuando está siendo cortado. Siempre mantenga sus manos detrás de los dispositivos de protección y lejos de la cuchilla;
- no está permitido el uso de accesorios de corte que no hayan sido proporcionados por el fabricante.

El fabricante de la máquina declina toda responsabilidad ge-

nerada por el uso inapropiado, modificaciones y/o reparaciones llevadas a cabo por el usuario o personal no autorizado, uso de repuestos no originales o no específicos al modelo de la máquina.


La máquina no debe ser utilizada en áreas abiertas y/o áreas expuestas a agentes atmosféricos y ambientes con vapores, humos o polvos corrosivos y/o abrasivos, con riesgo de fuego o explosión y en todo lugar donde el uso de componentes anti-explosivos sea requerido.

Condiciones ambientales de operación:

- Temperatura de -5°C a +40°C
- Max. humedad 95%


#### NO CORTAR:

- alimentos congelados;
- alimentos con hueso;
- cualquier otro producto que no sea alimento.

 **¡PRECAUCIÓN!** El motor puede sobrecalentarse! Después de 15 minutos de uso continuo, apague y desconecte la máquina, permitiendo que ésta se enfríe.

#### RIESGOS RESIDUALES


El anillo de seguridad alrededor de la cuchilla está hecha de acuerdo con la norma europea EN 1974:1998 +A1 pero, con la finalidad de permitir la operación de afilado, la protección en el zona del afilado puede no eliminar del todo el riesgo de corte.

 **¡PRECAUCION! ¡Riesgo de lesión por cuchilla afilada!** Durante la limpieza de la cuchilla y la operación de afilado, ponga atención adicional en mantener sus manos tan lejos como sea posible del área no

protegida. El uso de guantes de protección es recomendado.

#### INSTALACIÓN

Instale la máquina en una superficie plana, lisa y seca, adecuada para soportar el peso mismo de la máquina además de los productos que serán cortados.


 **¡PRECAUCIÓN!** Verifique que no existan obstáculos en el movimiento de la tabla o plato deslizante, así como en el posicionamiento de los productos alimenticios a ser cortados.

La máquina debe ser instalada lo más cercana posible a una toma eléctrica conectada a un suministro de electricidad debidamente regulatorio, en conformidad a las normas existentes con respecto a:

- protección termo-magnética;
- apagador automático diferencial;
- conexión a tierra.

Antes de conectar la máquina a la toma eléctrica, verifique que las características del suministro eléctrico estén en conformidad a aquellas indicadas en la etiqueta informativa de la máquina.

#### OPERACIÓN

 **¡PRECAUCIÓN! ¡Riesgo de lesión por cuchilla afilada!** Revise que la perilla de ajuste del espesor de corte (5) esté en la posición de seguridad (en la posición 0) (Fig. A).

1. Deslice la tabla o plato de alimentos (8) hacia atrás (en dirección del operario) en la posición de colocación del pro-

ducto alimenticio (Fig. L);

2. levante el sujetador de alimentos (17) a la posición de reposo;


3. coloque el producto a cortar en la tabla o plato de alimentos cerca de la barrera protectora del operario. Baje el sujetador de alimentos aplicando una ligera presión;


4. ajuste el grosor del corte por medio de la perilla. Active la cuchilla (10) presionando el botón de arranque. Tome la manija del sujetador de alimentos (9) y comience un movimiento alternado de corte;

5. al terminar la operación de corte regrese la perilla de ajuste del espesor de corte a la posición de seguridad y deslice hacia atrás la tabla o plato de alimentos. Detenga el movimiento de la cuchilla presionando el botón de apagado (2).

#### LIMPIEZA

Antes de usarse, la máquina debe ser limpiada al menos una vez al día, o más seguido en caso de ser necesario, y siempre después de largos periodos de inactividad.

 **¡PRECAUCIÓN! ¡Riesgo de choque eléctrico!** Antes de limpiarla, desconecte la máquina de la toma eléctrica y coloque la perilla de ajuste de grosor de corte en posición de seguridad.

 **¡PRECAUCIÓN! ¡Riesgo de lesión por cuchilla afilada!** Revise que la perilla de ajuste del espesor de corte (5) esté en la posición de seguridad (en la posición 0) (Fig. A).

Productos para limpieza: use solamente agua caliente

y un detergente ligero biodegradable, utilizando una tela suave y un cepillo semi-rígido de nylon para las áreas filosas de la tabla y el sujetador de alimentos. No limpie la máquina con chorros de agua o vapor y otros métodos similares.

#### Desmontaje:

- tabla o plato carro (solo para las maquinas equipada con mecanismo de tabla removible):

1) con la perilla de ajuste de grosor de corte en posición de seguridad, deslice la tabla hasta el límite en dirección del operario; 2) use la palanca de liberación de la tabla o plato de alimentos, manteniendo ésta ultima en el deslizamiento límite a fin de liberar la tabla de su soporte. Para llevar a cabo la operación de forma correcta, puede que sea necesario manipular simultáneamente la perilla de ajuste de grosor, girándola levemente con respecto a la posición de seguridad; 3) remover el sujetador de alimentos deslizando hacia afuera la tabla o plato de alimentos (Fig. B);

- cubierta de la cuchilla:


1) rotar 90° la cubierta en dirección anti-horario utilizando la manija especial; 2) un resorte facilitará la extracción de la cubierta (Fig. C);

- deflector de corte:

remover el deflector de corte siguiendo las instrucciones de la figura (Fig. D);

- afilador:

remover el afilador completo tirando hacia arriba (Fig. E).

 **¡PRECAUCIÓN!** **¡Riesgo de lesión por cuchilla afilada!** Para las operaciones de

limpieza de las áreas afiladas de la máquina, el sujetador de alimentos y la cuchilla, el uso de guantes protectores es recomendado.

#### Limpieza:

- cuchilla: pase una tela húmeda sobre la superficie de la cuchilla y deslícela lentamente del centro hacia afuera en el lado de la cubierta de la cuchilla y en el lado opuesto (Fig. F). De la misma manera remueva la humedad con una tela seca. **NUNCA** encienda la máquina mientras se encuentre limpiando la cuchilla;

- anillo de seguridad: use un cepillo suave para limpiar el área entre la cuchilla y el anillo de seguridad. Sea cuidadoso de **NO** colocar sus manos cerca de la cuchilla;

- cuerpo de la máquina; use una tela húmeda o esponja, enjuagando frecuentemente en agua caliente. Seque cuidadosamente.

#### Montaje:

- el afilador:

insertar el afilador como se muestra en figura (Fig. G) hasta que se detenga en la posición correcta;

- deflector de corte:

colocar el deflector de corte en su asiento (Fig. H);

- cubierta de la cuchilla:

montar la cubierta de la cuchilla y rotarla 90° en dirección horario hasta que esté asegurado en su posición inicial (Fig. I);

- tabla o plato carro (solo para las maquinas equipada con mecanismo de tabla removible):


inserte la tabla o plato de alimentos, verifique que la palanca de seguridad se encuentre en su posición ini-

cial, verifique que la tabla o plato de alimentos deslice libremente y revise la correcta operación de la perilla de ajuste de grosor.

## MANTENIMIENTO

### Afilado de la cuchilla

La frecuencia y duración del afilado de la cuchilla dependen del uso del equipo.

 **¡PRECAUCIÓN!** Si la máquina está equipada con su afilador opcional específico, siga las instrucciones. De lo contrario, póngase en contacto con el fabricante o con uno de los Centros de Servicio Autorizados (consulte SERVICIO).

Para afilar, siga las instrucciones siguientes:

1. coloque la perilla de ajuste de grosor en la posición de seguridad (Fig. A);
2. deslice la tabla o plato de alimentos hacia atrás (Fig. L);
3. levante el afilador (Fig. M) y rótelo hacia la posición de afilado (Fig. N);
4. libere el afilador;
5. active la cuchilla al presionar el botón de encendido;
6. lleve a cabo el afilado de la cuchilla al presionar el botón de afiliación por 10-15 segundos (Fig. O-1);
7. libere el ya mencionado botón;
8. jale y sostenga el botón de terminación por 2-3 segundos (Fig. O-2);
9. libere el botón;
10. detenga el movimiento de la cuchilla al presionar el botón de apagado;
11. levante el afilador y rótelo a su posición original;
12. libérela hasta que se detenga;
13. proceda con la limpieza de

la cortadora.

## Lubricación

Después de un período de uso regular, tal vez sea necesario lubricar las guías de deslizamiento. Recomendamos ejecutar esta operación cada 3 meses. Para lubricación, sólo use aceite libre de ácidos (recomendamos Vaselina). No use aceite vegetal.


## ASISTENCIA

---

El embalaje de suministro no contiene piezas de repuesto. Las reparaciones y cambios (cuchilla, correa, componentes eléctricos, piezas estructurales, etc.) han de ser llevados a cabo exclusivamente por personal autorizado por el fabricante.

Para informaciones sobre los Centros de Servicio, enviar un correo a:

service@berkelinternational.com.

 **¡ATENCIÓN!** *Hay que sustituir la cuchilla cuando la distancia entre el hile de la cuchilla y el borde interno de la protección superan los 6 mm.*

## GARANTÍA Y RESPONSABILIDAD

---

El fabricante suministra máquinas con una garantía de 24 meses de duración, a partir de la fecha de compra. La garantía solo cubre los defectos detectados haciendo un uso apropiado y según las condiciones de uso previstas por el manual. La garantía no cubre defectos debidos al transporte, incompetencia o negligencia del comprador, instalación o posicionamiento impropio, daños por desgaste, voltaje supe-

rior al 10% del valor nominal. Además, la garantía no cubre componentes intrínsecamente sujetos a desgaste, como la cuchilla y los muelles del afilador, excepto en caso de evidente defecto de fabricación.

El fabricante declina toda responsabilidad directa e indirecta derivada de:

- incumplimiento de las instrucciones del manual.

- uso no conforme a la normativa dominante en el país de instalación.

- modificaciones y/o reparaciones en la máquina no autorizadas

- uso de accesorios y piezas de recambio no originales

- eventos excepcionales.

La transferencia de propiedad de la máquina implica la exención inmediata de cualquier responsabilidad por parte del fabricante, a excepción de la observancia de la directiva 2006/42/CE (responsabilidad por cualquier defecto de fabricación del producto).

La placa de identificación ubicada en la base de la máquina indica el fabricante, la máquina la información técnica y el marcado CE.

## DESTRUCCIÓN DE LA CORTADORA

---

Todas las unidades están compuestas de:

- estructura de aleación aluminio/magnesio;

- insertos y varios componentes de acero inoxidable;

- partes y cables eléctricos;

- motor eléctrico;

- materiales de plástico, etc.

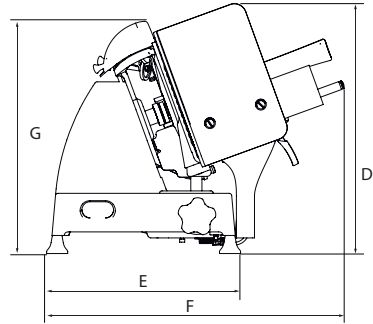
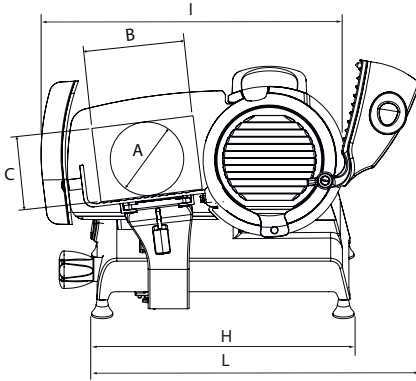
Si el desmantelamiento y destrucción se lleva a cabo por terceros, use solamente compañías autorizadas para

disponer de los materiales ya mencionados. Empaques y electrodomésticos contienen partes reciclables. Su unidad contiene materiales de valor que pueden ser recuperados o reciclados. La separación del resto de los materiales de desecho en distintos tipos facilita el reciclaje de materias primas valiosas. Entregue los electrodomésticos en un centro de recolección. Puede obtener información de parte de las autoridades locales.

## Resolución de problemas

PROBLEMA	CAUSA PROBABLE	SOLUCIÓN
Cuando se pulsa el botón de encendido la máquina no se pone en marcha	Falla de alimentación o circuito de control defectuoso	Compruebe que la clavija esté correctamente enchufada, si el problema continúa contacte con el Centro de Servicios
Cuando se pulsa el botón de encendido la máquina se pone en marcha pero no se enciende el indicador luminoso de funcionamiento	Indicador defectuoso	No utilice la máquina con el indicador luminoso apagado. Contacte con el servicio de asistencia
Excesiva resistencia al corte del producto	Cuchilla desafilada	Aflar la cuchilla
La cuchilla, cuando se somete a esfuerzo, funciona lentamente o se para	Correa aflojada o dañada	Contacte con el centro de servicios para regular o cambiar la correa
Cuando se pulsa el botón de apagado la máquina no se para	Circuito de control defectuoso	Detenga inmediatamente la máquina desenchufándola y llame inmediatamente a un centro de servicio
Excesiva resistencia al desplazamiento de componentes móviles (sujetador de alimentos, carro)	Lubricación de las guías de deslizamiento no realizada periódicamente	Lubricar periódicamente

## DATOS TÉCNICOS



MODELO	220	250	300
A	168 mm	178 mm	230 mm
B	185 mm	185 mm	245 mm
C	160 mm	175 mm	225 mm
D	395 mm	395 mm	480 mm
E	320 mm	320 mm	385 mm
F	505 mm	505 mm	475 mm
G	390 mm	390 mm	430 mm
H	435 mm	435 mm	480 mm
I	490 mm	515 mm	635 mm
L	580 mm	570 mm	630 mm
ESPECIFICACIONES			
Capacidad (circular)	168 mm	178 mm	230 mm
Capacidad (rectangular)	185x160 mm	187x175 mm	245x225 mm
Capacidad máxima de corte	14 mm	14 mm	12 mm
Diámetro cuchilla	220 mm	250 mm	300 mm
Peso	22 Kg	22 Kg	27 kg
Potencia motor	0,19 kW	0,19 kW	0,31 kW

Nota: Dada la continua mejora de nuestros productos, las características técnicas están sujetas a posibles variaciones sin previo aviso por parte de nuestra empresa.

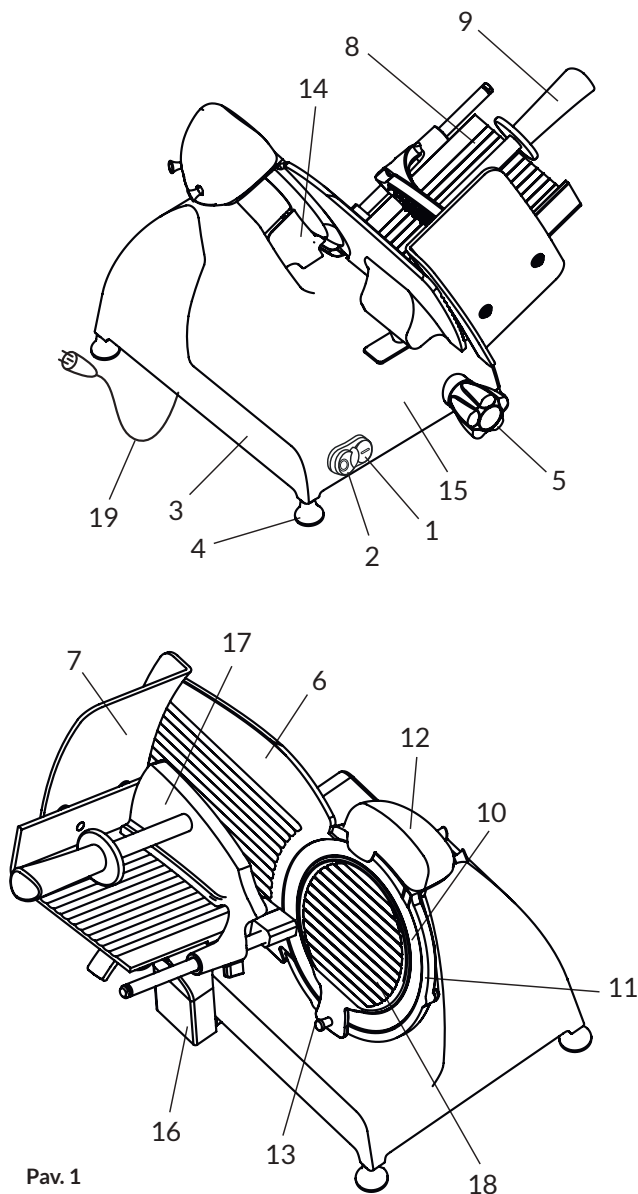


## NAUDOTOJO VADOVAS: Elektrinės pjaustyklės Red Line

### MODELIAI:

RL220, RL250, RL300.

## ČÁSTI STROJE



1. Paleidimo mygtukas (baltas)
2. Sustabdymo mygtukas (raudonas)
3. Pavadinimo plokštelė, techniniai duomenys, CE ženklas
4. Kojelė
5. Griežinėlio storio reguliavimo rankenėlė
6. Griežinėlio storio matavimo plokštė
7. Apsauginis gaubtas
8. Produkto laikymo plokštė
9. Produkto spaustuvo rankenėlė
10. Geležtė
11. Apsauginis žiedas (peilio apsauga)
12. Galąstuvus
13. Peilio apsaugos rankenėlė
14. Griežinėlio kreiptuvas
15. Pagrindas
16. Plokštės laikiklis
17. Produkto spaustuvas
18. Peilio apsaugos diskas
19. Maitinimo laidas

Pav. 1

## APRAŠYMAS

Profesionali smagratinė pjaustyklė, tinkama pjaustyti tik tiems produktams, kurių tipai ir dydis nurodyti šiame dokumente. Pagrindinės prietaiso dalys pavaizduotos bendroje diagramoje (Pav. 1). Elektros diagramos vaizduojamos 2 pav.

## TINKAMUMO NAUDOTI DEKLARACIJA

Šiame dokumente aprašyti prietaisai atitinka direktyvas 2006/42/CE, 2006/95/CE, 2004/108/CE, 2003/108/CE, 2011/65/CE, reglamentą (EC) 1935/2004 ir susijusius darniuosius standartus EN 1974:1998 +A1, EN60204-1, EN60335-1, EN60335-2-64.



## SAUGUMAS

Laikykitės žemiau nurodytų pagrindinių atsargumo priemonių:

- Prieš naudodami prietaisą perskaitykite visas instrukcijas;
- Šis gaminys skirtas ne vaikams;
- Prietaisu naudokitės tik tinkamai apmokyti ir būdami geros psichinės ir fizinės būklės;
- Prietaisą naudokite tik taip, kaip nurodyta šiame dokumente;
- Naudokite tik struktūriškai, mechaniškai ir sistemai nepažeistą prietaisą;
- Pjaustyklę montuokite laikydamiesi nurodymų, pateiktų skyrelyje „Montavimas“;
- prietaisą montuokite tik vietoje, nepasiekiamose personalui, neturinčiam teisės juo naudotis, ir ypač nepilnamečiams;
- naudodamiesi prietaisu būkite susikaupę, venkite trukdžių;
- neleiskite prietaisu naudotis tiems, kurie neperskaitė ir iki 50

galo nesuprato šiame naudotojo vadove pateikto turinio;

- nevilkkite dukšlių drabužių arba drabužių plačiomis rankovėmis;
- prietaisui veikiant neleiskite prie jo artintis niekam kitam, išskyrus naudotoją;
- nepašalinkite, neuždenkite ir nepakeiskite žymų ant prietaiso korpuso, o pažeistas nedelsdami pakeiskite;
- nepašalinkite permatomų apsaugų, nekeiskite ir neignoruokite mechaninių ir elektrinių dalių apsaugų;
- pjaustykite tik leidžiamus produktus, nemėginkite pjaustyti draudžiamų;
- produktų laikiklis, zona aplink prietaisą ir naudotojo stovėjimo vieta visada privalo būti švarūs ir sausi;
- nenaudokite pjaustyklės kaip laikiklio, nedėkite ant jos daiktų ar kito maisto, išskyrus tą, kuris skirtas pjaustyti;
- nenaudokite pjaustyklės, kai dėl įprasto nusidėvėjimo atstumas tarp ašmenų krašto ir apsauginio žiedo viršija 6 mm. Tokiu atveju susisiekite su gamintoju arba įgaliotu aptarnavimo centru, kad pakeistų ašmenis;
- nenaudokite prietaiso su laikiniais arba neizoliuotais kabeliais, šakotuvais arba ilgikliais;
- reguliariai tikrinkite prietaiso elektros tiekimo laido būklę. Prireikus paprašykite kvalifikuotų specialistų jį pakeisti.
- pasirodžius defektui, sutrikus veikimui, įtarus gedimą, netinkamai judant arba sklindant keistiems garsams nedelsdami išjunkite prietaisą;
- prieš valydami arba atlikdami priežiūros darbus atjunkite prietaisą nuo elektros tinklo;
- valydami ir atlikdami priežiūros darbus dėvėkite apsaugines

pirštines;

- produktus ant stumdomo padėklo dėkite ir nuimkite tik iki galo atitraukę stovą ir griežinėlių storumo reguliavimo rankenėlę nustatę ties saugia pozicija (ties 0) (Fig. A);
- pjaustymo metu norėdami judinti mėsos padėklą naudokite tik rankeną, esančią ant atramos, arba produktų žnyplės;
- pjaustydami niekada rankomis nelieskite maisto produkto. Rankas visada laikykite už apsauginio prietaiso, toli nuo ašmenų;
- draudžiama naudoti priedus, kurių nepatvirtino gamintojas. Gamintojas neprisiima atsakomybės dėl netinkamo naudojimo, keitimo ir/ arba taisymo, kurį atlieka pats naudotojas arba įgaliotųjų neturintys darbuotojai, taip pat dėl naudojimo atsarginių dalių, kurios nėra originalios arba nėra pritaikytos pjaustyklės modeliui.

Prietaiso negalima naudoti atviroje erdvėje ir/ arba lauke, taip pat aplinkoje, kurioje yra garų, dūmų arba ardančių ir/ arba esdinančių dulkių, kur yra gaisro arba sprogimo rizika, taip pat ten, kur reikalinga apsauga nuo sprogimo.

Naudojimo sąlygos:

- Temperatūra nuo -5° C iki +40° C
- Maksimali drėgmė 95%

**DRAUDŽIAMA PJAUSTYTI:**


- šaldytus maisto gaminius;
- maisto gaminius su kaulais;
- kitus produktus, kurie neskirti maistui.

**⚠ DĖMESIO!** Variklis gali perkaisti! Panaudoję pjaustyklę 15 min. be pertraukos IŠJUNKITE prietaisą ir leiskite atvėsti.

**GALIMOS GRĖSMĖS**


Apsauginis žiedas aplink ašme-

nis pagamintas laikantis ES standartų EN 1974:1998 +A1, bet jis pagamintas taip, asmenis būtų galima pagalšti, todėl ne iki galo apsaugo nuo įpjovimų.

 **DĖMESIO!** Valydami arba galąsdami asmenis būkite atsargūs ir rankas laikykite kuo toliau nuo neapsaugotos zonos. Rekomenduojama dėvėti apsaugines pirštines.

## **PRIETAISO MONTAVIMAS**

Prietaisą montuokite ant plokščio, lygaus ir sauso paviršiaus, kuris atlaikytų pačios pjaustyklės ir pjaustomų produktų svorį.


 **DĖMESIO!** Įsitinkinkite, kad niekas netrukdytų įdėti/išimti mėsos padėklo ir maisto produktų.

Prietaisą būtina montuoti šalia ES standartus atitinkančio lizdo, sujungto su elektros tinklu, atitinkančių reglamentus dėl:

- magnetinės-terminės apsaugos;
- automatinio diferencinio jungiklio;
- įžeminimo sistemos.

Prieš prijungdami prietaisą prie elektros tinklo įsitinkinkite, kad jo įtampa atitinka nurodytąsias prietaiso informacinėje lentelėje.

## **NAUDOJIMAS**

 **DĖMESIO! Pavojus susižeisti dėl aštrių ašmenų!** Įsitinkinkite, kad griežinėlių storumo reguliavimo rankenėlė (5) nustatyta ties saugia pozicija (ties 0) (Fig. A).

1. Mėsos padėklą (8) atitraukite iki pat galo (naudotojo link), kad atsидurtų pakrovimo padėtyje (Fig. L);

2. produktų laikiklį (17) kilstelėkite į parengiamąją padėtį;


3. produktą, kurį norite pjaustyti, uždėkite ant mėsos padėklo, prie šoninės naudotojo sienelės. Uždenkite jį produktų laikikliu, naudodami nedidelę jėgą;


4. nustatykite pjovimo storį. Aktyvuokite asmenis (10) paspausdami įjungimo mygtuką. Suimkite produktų laikiklio rankeną (9) ir pradėkite pjaustyti;

5. baigę pjaustyti nustatykite griežinėlių storumo reguliavimo rankenėlę ties saugia padėtimi ir atitraukite mėsos padėklą. Asmenis sustabdykite paspausdami išjungimo mygtuką (2).

## **VALYMAS**

Prieš naudodami bent kartą per dieną – arba dažniau, jei reikia, – išvalykite prietaisą. Būtinai jį išvalykite ir po ilgo nenaudojimo laikotarpio.

 **DĖMESIO! Elektros smūgio pavojus!** Prieš valydami ištraukite laidą iš elektros lizdo ir griežinėlių storumo reguliavimo rankenėlę nustatykite ties saugia padėtimi.

 **DĖMESIO! Pavojus susižeisti dėl aštrių ašmenų!** Įsitinkinkite, kad griežinėlių storumo reguliavimo rankenėlė (5) nustatyta ties saugia pozicija (ties 0) (Fig. A).

Priemonės valyti:  
Priemonės valyti:  
- naudokite tik vandenį ir mikroorganizmų skaidomą švelnų valiklį, taip pat minkštą skudurėlį ir pusketį nailoninį šepetį aštrioms padėklo ir produktų laikiklio briaunoms valyti. Prietaisui plauti nenaudokite vandens arba garų srovių ir panašių metodų.

Išardymas:

- mėsos padėklas (tik pjaustyklėms, kuriose įmontuotas mechanizmas mėsos padėklui išimti):

1) storumo reguliavimo rankenėlę nustatę ties saugia padėtimi iki galo ištraukite stovą naudotojo link; 2) nuspauskite mėsos padėklo atleidimo svirtį, prilaikydami pagrindą, kad nuimtumėte mėsos padėklą nuo pagrindo. Tam, kad šis veiksmas būtų įvykdytas teisingai, gali prireikti tuo pačiu metu sukti griežinėlių storumo reguliavimo rankenėlę; 3) traukite produktų laikiklį, kol mėsos padėklas atsiskirs nuo pagrindo (Fig. B);

- ašmenų apsauga:


1) specialia rankenėle pasukite ašmenų apsaugą 90° kampu prieš laikrodžio rodyklę; 2) spyruoklė padės lengviau ištraukti ašmenų apsaugą (Fig. C);

- kreipiklis:

kreipiklį išimkite ta kryptimi, kuri parodyta pav (Fig. D);

- galąstuvai:

visą galąstuvą išimsite keldami jį į viršų (Fig. E).

 **DĖMESIO! Pavojus susižeisti dėl aštrių ašmenų!**

Valant aštrias plokščiu, produktų laikiklio ir ašmenų dalis taip pat rekomenduojama dėvėti apsaugines pirštines.

Valymas:

- ašmenys: prispauskite prie ašmenų drėgną skudurėlį ir pamazū braukite juo nuo centro išorės link iš abiejų pusių (Fig. F). Lygiai taip pat nusauskite juos naudodami sausą skudurėlį. Valydami asmenis NIEKADA nejunkite pjaustyklės;

- apsauginis žiedas: švelniu šepetėliu išvalykite vietą tarp ašmenų ir apsauginio žiedo. At-

sargiai – NEKIŠKITE rankų prie ašmenų;

- Prietaiso korpusas: plaukiate drėgnu skudurėliu arba kempine, ją dažnai praplaudami karštu vandeniu. Kruopščiai nusauskite.

Surinkimas:

- galąstuvus:

įdėkite galąstuvą kaip parodyta paveikslėlyje (Fig. G), kol jis užsifiksuos tinkamoje padėtyje;

- kreipiklis:

įdėkite kreipiklį į vietą (Fig. H);

- ašmenų apsauga:

vėl surinkite ašmenų apsaugą ir pasukite ją 90° kampu pagal laikrodžio rodyklę, kol atsiders pirminėje padėtyje (Fig. (Fig. I));


- mėsos padėklas (tik pjaustyklėms, kuriose įmontuotas mechanizmas mėsos padėklui išimti):

uždėkite mėsos padėklą ant stovo, įsitikinkite, kad tvirtinimo svirtis grįžo į pradinę padėtį, įsitikinkite, kad stovas juda laisvai, ir patikrinkite, ar storumo reguliavimo rankenėlė tinkamai veikia.

## **PRIEŽIŪRA**

### **Kaip galąsti ašmenis**

Galandimo dažnumas ir trukmė priklauso nuo įrangos naudojimo.

 **DĖMESIO!** Jei pjaustyklėje įmontuotas galąstuvus, sekite šiuos nurodymus. Kitu atveju susisiekitė su gamintoju arba įgaliotu aptarnavimo centru (žr. APTARNAVIMAS).

Norėdami pagaląsti sekite šiuos nurodymus:

1. storumo reguliavimo rankenėlę nustatykite ties saugia padėtimi (Fig. A);

2. iki galo ištraukite mėsos padėklą (Fig. L);

3. pakelkite (Fig. M) ir pasukite galąstuvą taip, kaip reikia norint galąsti (Fig. N);

4. atleiskite galąstuvą;

5. spustelėkite įjungimo mygtuką ir aktyvuokite ašmenis;

6. galąskite ašmenis 10–15 sekundžių spausdami galąstuvo mygtuką (Fig. O - 1);

7. atleiskite aukščiau paminėtą mygtuką;

8. patraukite ir 2–3 sekundes palaikykite šlifavimo mygtuką (Fig. O-2);

9. atleiskite jį;

10. nuspauskite išjungimo mygtuką ir sustabdykite ašmenis;

11. pakelkite galąstuvą ir gražinkite į pradinę padėtį;

12. atleiskite galąstuvą, kol šis sustos;

13. toliau valykite pjaustyklę.

### **Sutepimas**

Tam tikrą laiką reguliariai naudodant pjaustyklę gali prireikti sutepti stovo kreiptuvus. Rekomenduojame šį procesą atlikti kas 3 mėnesius. Norėdami sutepti naudokite tik berūgštį alyvą (rekomenduojame vazeliną). Nenaudokite augalinio aliejaus.


## **APTARNAVIMAS**

Pjaustyklėje nėra detalių, kurias galėtų pakeisti pats naudotojas. Iškilus problemoms susisiekitė su kvalifikuotais profesionalais. Visus taisymo ir keitimo darbus (pvz., ašmenų keitimas, variklio diržo keitimas, elektros sistemos komponentų keitimas, struktūrinių dalių taisymas, subbazinių detalių taisymas ir/ arba keitimas ir pan.) turi atlikti tik gamintojo įgalioti darbuotojai.

Prireikus pjaustyklę remontuoti galite ją gražinti gamintojui arba vienam įgaliotų aptarnavimo

centrų. Norėdami gauti daugiau informacijos susisiekitė su mumis el. paštu:

service@berkelinternational.com.

 **DĖMESIO!** Pakeisti ašmenis privaloma, jei atstumas tarp ašmenų krašto ir vidinio apsaugos krašto didesnis nei 6 mm.

## **GARANTIJA IR ATSAKOMYBĖ**

Gamintojas pjaustyklėms siūlo ribotą 24 mėnesių garantiją nuo įsigijimo dienos. Garantija taikoma tik tiems defektams, kurie atsiranda tinkamai laikant ir naudojant prietaisą. Garantija netaikoma defektams, atsiradusiems prietaisą gabenant, dėl pirkėjo nekompetencijos arba aplaidumo, dėl netinkamo montavimo arba įžeminimo, dėl neleistino taisymo, natūralaus nusidėvėjimo ir įtampos svyravimų, didesnių nei 10% nominalios vertės. Be to, garantija netaikoma nusidėvėti linksioms dalims, pvz., ašmenims ir galąstuvams, išskyrus tuos atvejus, kai akivaizdūs gamybos defektai.

Gamintojas atsisako bet kokios tiesioginės ir netiesioginės atsakomybės, kylančios iš:

- šiame dokumente pateiktų nurodymų nesilaikymo;

- naudojimo, kuris neatitinka naudojimo valstybėje galiojančių reglamentų;

- neleistino prietaiso modifikavimo ir/ arba taisymo;

- neoriginalių priedų ir atsarginių dalių naudojimo;

- išimtinių įvykių.

Prietaiso nuosavybės perdavimas automatiškai panaikina gamintojo atsakomybę dėl pjaustyklės, išskyrus sąlygas, išdėstytas Direktyvoje 2006/42/CE (atsakomybė dėl prietaiso

gamybos defektų). Identifikacinėje plokštelėje nurodytas gamintojas, prietaisas, techninė informacija ir CE žyma.

## **PJAUSTYKLĖS UTILIZAVIMAS**

Prietaisus sudaro:

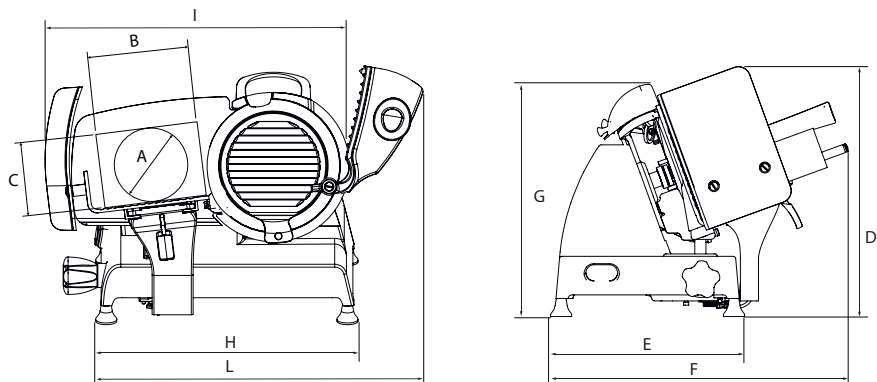
- aliuminio ir magnio lydinio korpusas;
- įdėklai ir įvairūs komponentai iš nerūdijančio plieno;
- elektros dalys ir kabeliai;
- elektrinis variklis;
- plastikas, t. t.

Jei išardymas ir utilizavimas patikimas trečiosioms šalims, naudokitės paslaugomis tik tų įmonių, kurios įgaliotos utilizuoti

aukščiau išvardytas medžiagas. Prietaisas atitinka ES Direktyvą 2012/19/UE. Pakuotėje ir prietaisuose yra perdirbamų medžiagų. Jūsų prietaise yra vertingų medžiagų, kurias galima pakartotinai panaudoti arba perdirbti. Likusių atliekų rūšiavimas palengvina vertingų medžiagų rūšiavimą. Prietaisus palikite surinkimo taške. Informacijos apie utilizavimą gausite iš vietos organizacijų.

## **Gedimų diagnostika ir šalinimas**

PROBLEMA	PRIEŽASTIS	SPRENDIMAS
Paspaudus mygtuką pjaustyklė neįsijungia	Nėra elektros arba sugedusi valdymo sistema	Patikrinkite, ar kištukas tinkamai įkištas. Jei prietaisas vis tiek neįsijungia, susisiekite su aptarnavimo centru
Paspaudus mygtuką prietaisas įsijungia, bet nešviečia veikimo lemputė	Gali būti sugedusi veikimo lemputė	Jei lemputė neveikia, nenaudokite prietaiso. Susisiekite su aptarnavimo centru
Pjaustant maisto produktą justis smarkus pasipriešinimas	Ašmenys atšipę	Pagaląškite ašmenis
Pjaustant produktą ašmenys sulėtėja arba sustoja	Pavaros diržas gali būti atsipalaidavęs arba pažeistas	Susisiekite su aptarnavimo centru, kad įtemptų arba pakeistų diržą
Paspaudus išjungimo mygtuką prietaisas neišsijungia	Gali būti sugedusi valdymo sistema	Nedelsdami išjunkite prietaisą ištraukdami iš lizdo kištuką. Susisiekite su aptarnavimo centru
Judančios dalys (produktų laikiklis, stovas) sunkiai juda	Kreiptuvai gali būti nepakankamai sutepti	Reguliariai juos sutepkite, kaip nurodyta šiame dokumente



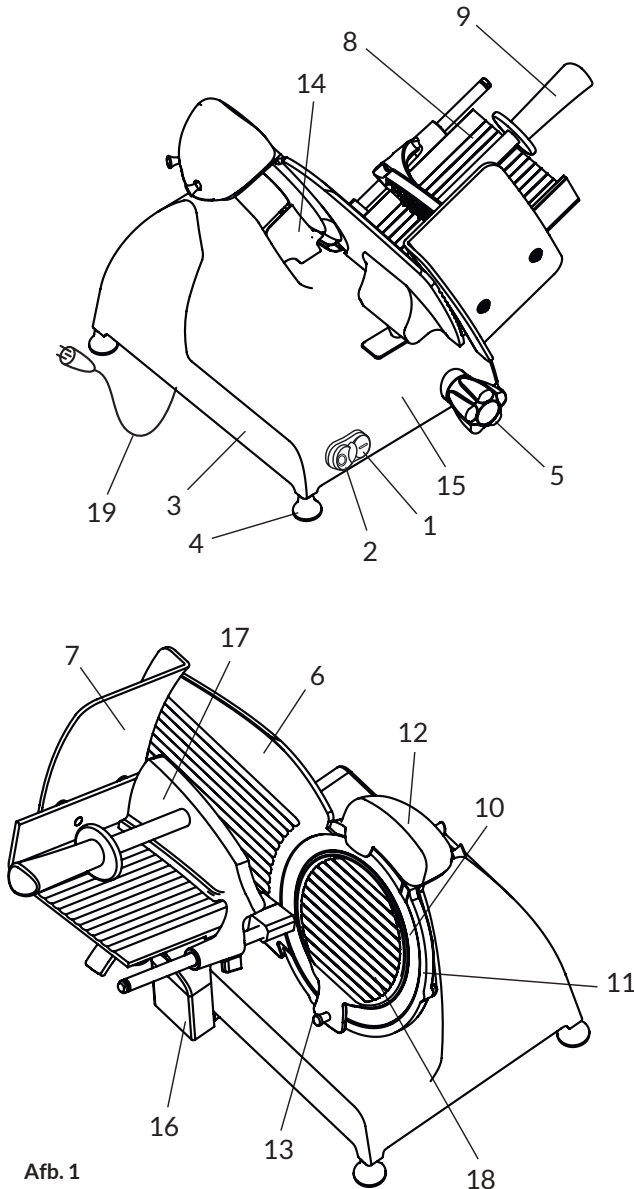
MODELIS	220	250	300
A	168 mm	178 mm	230 mm
B	185 mm	185 mm	245 mm
C	160 mm	175 mm	225 mm
D	395 mm	395 mm	480 mm
E	320 mm	320 mm	385 mm
F	505 mm	505 mm	475 mm
G	390 mm	390 mm	430 mm
H	435 mm	435 mm	480 mm
I	490 mm	515 mm	635 mm
L	580 mm	570 mm	630 mm
SPECIFIKACIJOS			
Pjovimo apvalia forma pajėgumas	168 mm	178 mm	230 mm
Pjovimo stačiakampe forma pajėgumas	185x160 mm	187x175 mm	245x225 mm
Maksimalus griežinėlio storis	14 mm	14 mm	12 mm
Peilio skersmuo	220 mm	250 mm	300 mm
Svoris	22 Kg	22 Kg	27 kg
Variklio galia	0,19 kW	0,19 kW	0,31 kW

Pastaba: Kadangi iš nuolatinių mokslinių tyrimų rezultatas nuolat tobulinti savo produktus, techninės specifikacijos gali būti galimų variantų.

## HANDLEIDING: Elektrische snijmachines Red Line

## MODELLEN:

RL220, RL250, RL300.

ONDERDELEN  
VAN DE MACHINE

1. Startknop (wit)
2. Stopknop (rood)
3. Typeplaatje, technische gegevens, CE-markering
4. Poot
5. Dikteregelaar
6. Plaat diktemeter (dikteplaat)
7. Beveiliging
8. Vleestafel
9. Greep van vleesklem
10. Mes
11. Veiligheidsring (mesbescherming)
12. Slijpparaat
13. Mesplaatknop
14. Kroon
15. Onderstel
16. Tafelsteun
17. Vleesklem
18. Schijf mesbescherming
19. Voedingskabel

Afb. 1

## BESCHRIJVING

---

Professionele snijmachines met rond mes, ontworpen voor het snijden van levensmiddelen van het soort en met de afmetingen beschreven in deze handleiding. Afbeelding 1 toont de hoofdonderdelen van de machine. Afbeelding 2 toont het schakelschema.

## VERKLARING VAN OVEREENSTEMMING

---

De machines beschreven in deze handleiding stemmen overeen met de richtlijnen 2006/42/EG, 2006/95/EG, 2004/108/EG, 2003/108/EU, 2011/65/EG, het Europese reglement (EG) 1935/2004 en de desbetreffende normen EN 1974:1998 +A1, EN60204-1, EN60335-1, EN60335-2-64.



## VEILIGHEID

---

Let voor uw veiligheid goed op de volgende aanwijzingen:

- lees aandachtig de aanwijzingen door voordat u de machine gebruikt;
- het product mag niet worden gebruikt door kinderen;
- gebruik de machine uitsluitend als u voldoende ingelicht bent en u in perfecte lichamelijke en geestelijke toestand verkeert;
- gebruik de machine op geen enkele andere wijze dan degenen die in deze handleiding is beschreven;
- installeer de machine in overeenstemming met de aanwijzingen beschreven in de paragraaf 'Installatie';
- installeer de machine op een plaats buiten bereik van mensen

- en met name kinderen die niet in het gebruik betrokken zijn;
- wees geconcentreerd tijdens het gebruik van de machine, laat u niet afleiden;
- laat de machine niet gebruiken door personeel dat de inhoud van deze handleiding niet gelezen en begrepen heeft;
- geen loshangende kleding of kleding met wijde mouwen dragen;
- sta nooit toe dat iemand anders dan de gebruiker de machine tijdens het snijden van het product benadert;
- de plaatjes van de machine niet verwijderen, afdekken of wijzigen en ze onmiddellijk vervangen wanneer ze beschadigd raken;
- de transparante beveiligingen niet verwijderen of wijzigen en de elektrische en mechanische beveiligingen niet omzeilen;
- snij uitsluitend de toegestane producten, probeer geen verboden producten te snijden;
- houd het steunvlak van het gesneden product, het werkblad rondom de machine en de vloer waar de gebruiker op staat altijd schoon en droog;
- de machine niet gebruiken als een steunvlak en er geen voorwerpen op aanbrengen die niet tijdens de normale snijwerkzaamheden nodig zijn;
- de snijmachine niet gebruiken als de afstand tussen de snede van het mes en de mesbescherming door normale slijtage groter dan 6 mm is geworden. Neem in dit geval contact op met de fabrikant of een van de erkende servicecentra om het mes te laten vervangen;
- gebruik de machine niet met 'zwevende' elektrische aansluitingen met tijdelijke of niet-ge-

- isoleerde kabels;
  - controleer regelmatig de staat van de voedingskabel en de kabelwartel op het huis van de machine; vervang de kabel onmiddellijk wanneer dit nodig is. Wend u voor de ingreep tot gekwalificeerd personeel;
  - leg de machine onmiddellijk stil in het geval van een defect, een vreemde werking, een vermeende breuk, verkeerde bewegingen of vreemde geluiden;
  - haal de machine van de elektrische voeding los alvorens reinigingen of onderhoud te verrichten;
  - gebruik beschermende handschoenen voor de reiniging en het onderhoud;
  - breng het te snijden product op de snijtafel aan en verwijder het ervan wanneer de wagen helemaal naar achteren is bewogen en de knop van de dikteregelaar in de veilige stand is geplaatst (Afb. A);
  - gebruik uitsluitend de greep op de arm of de handgreep van de vleesklem voor het verplaatsen van de vleestaaf tijdens het snijden;
  - het is niet toegestaan om snijaccessoires te gebruiken die de fabrikant niet samen met de machine heeft geleverd.
- De fabrikant acht zich niet direct of indirect aansprakelijk voor een oneigenlijk gebruik, onbevoegde wijzigingen en/of reparaties aan de machine of het gebruik van niet-originele accessoires en onderdelen.
- De machine mag niet worden gebruikt in de openlucht en/of op plaatsen waar ze wordt blootgesteld aan weersinvloeden en in ruimtes waar vocht, bijtende en/of schurende dampen of stof aanwezig zijn, in ruimtes waar brand- o explosie-




siegevaar bestaat en in elke ruimte waar het gebruik van explosieveilige componenten wordt voorgeschreven.

Gebruiksomstandigheden:


- Temperatuur -5°C tot +40°C
- Max. vochtigheid 95%

NIET SNIJDEN:

- bevroren levensmiddelen;
- diepgevroren levensmiddelen;
- levensmiddelen met bot (vlees en vis);
- elk ander product dat geen levensmiddel is.


 **OPGELET!** De motor kan oververhit raken! Schakel de machine na 15 minuten continu gebruik uit en laat de motor afkoelen.

De veiligheidsring rondom het mes stemt overeen met de Europese norm EN 1974:1998 +A1. Desondanks verwijdert de bescherming van de slijpzone niet volledig het gevaar voor snijwonden.

 **OPGELET!** Zorg ervoor dat u de handen zo ver mogelijk bij de onbeschermd zone verwijderd houdt tijdens het schoonmaken en slijpen van het mes. Het gebruik van beschermende handschoenen wordt aanbevolen.

## INSTALLATIE

Installeer de machine op een droge, gladde en vlakke ondergrond die het gewicht van de machine en het te snijden product kan dragen.

 **WAARSCHUWING:** Verifieer of de vleestafel ongehinderd kan bewegen en


of het te snijden product zonder problemen op de vleestafel kan worden geplaatst.

Installeer de machine in de buurt van een stopcontact die overeenstemt met de EEG-normen en die is aangesloten op een installatie die voldoet aan de toepasselijke normen inzake:

- magnetothermische beveiliging;
- automatische differentieel-schakelaar (aardlekschakelaar);
- aarding.

Verifieer of de eigenschappen van het elektriciteitsnet met de gegevens op het typeplaatje van de machine overeenstemmen, alvorens de machine erop aan te sluiten.

## GEBRUIK VAN DE SNIJMACHINE

 **OPGELET!** *Scherp mes, gevaar voor snijwonden!* Controleer of de knop van de dikteregelaar (5) in de veilige stand (stand 0) is geplaatst (Afb. A).


1. Beweeg de vleestafel (8) volledig achteruit naar de gebruiker, in de stand waarin het product kan worden aangebracht (Afb. L);
2. klap de vleesklem (17) omhoog en plaats hem in de ruststand;
3. breng het te snijden product aan tegen de rand op de vleestafel, aan de zijde van de gebruiker. Blokkeer het product met de vleesklem door deze iets in het product te drukken;
4. stel de dikte van de plak af. Schakel het mes (10) in met de startknop. Pak de greep van de vleesklem (9) vast en start de


snijbeweging;

5. plaats de knop van de dikteregelaar aan het einde van de snijwerkzaamheden in de veilige stand en trek de wagen naar achteren. Breng het mes tot stilstand met een druk op de stopknop (2).

## REINIGING

Houd de machine goed schoon. Maak de machine wanneer ze gebruikt wordt minstens eenmaal per dag of zelfs vaker schoon. We adviseren om de machine ook vóór het gebruik schoon te maken als ze een tijd lang niet is gebruikt.

 **OPGELET!** *Elektrocutedoelgevaar!* Haal de stekker uit het stopcontact en plaats de knop van de dikteregelaar in de veilige stand, alvorens de machine schoon te maken.

 **OPGELET!** *Scherp mes, gevaar voor snijwonden!* Controleer of de knop van de dikteregelaar (5) in de veilige stand (stand 0) is geplaatst (Afb. A).

Schoonmaakmiddelen: gebruik uitsluitend water en een biologisch afbreekbaar schuimend afwasmiddel, een zachte sponsdoek en een halfzachte nylon borstel voor de zones van de vleestafel en de puntige vleesklem. Maak de machine niet schoon met waterstralen of stoom of soortgelijke methoden.

Verwijder:

- vleestafel (uitsluitend voor machines met mechanisme voor de verwijdering van de vleestafel):

- 1) Plaats de knop van de

dikteregelaar in de veilige stand, verplaats de vlees-  
tafelsteun helemaal naar  
achteren in de richting van  
de gebruiker; 2) gebruik de  
hendel voor het deblokke-  
ren van de vleestafel met  
de vleestafelsteun helemaal  
naar achteren verplaatst, om  
de vleestafel van de vlees-  
tafelsteun te verwijderen.  
Om de handeling correct te  
kunnen verrichten kan het  
nodig zijn dat u tegelijkertijd  
de knop van de dikteregelaar  
net iets uit de veilige stand  
moet draaien; 3) verwijder  
de vleestafel door deze van  
de steun te schuiven (Afb. B);

- de mesplaat:


1) laat de mesplaat met de  
specifieke knop 90° linksom  
draaien; 2) een veer zorgt  
ervoor dat de mesbescher-  
ming eenvoudig kan worden  
verwijderd (Afb. C);

- kroon:

verwijder de kroon in de  
richting die in de afbeelding  
is aangegeven (Afb. D);

- slijpparaat:

verwijder het slijpparaat  
door het omhoog te trekken  
(Afb. E).

 **OPGELET! Scherp mes, ge-  
vaar voor snijwonden!** We  
adviseren om beschermende  
handschoenen te dragen voor  
de reiniging van de slijpzone,  
de vleestafel, de vleesklem en  
het mes.

Maak het volgende schoon:

- mes: druk een vochtige doek  
tegen het oppervlak van het  
mes en verplaats de doek aan  
de zijde van de mesplaat en  
aan de andere zijde langzaam  
vanuit het midden naar buiten,  
zie de afbeelding (Afb. F). Maak  
het mes op dezelfde wijze

droog met een droge doek;  
- veiligheidsring: maak de zone  
tussen het mes en de veilig-  
heidsring schoon met een half-  
zacht nylon borsteltje;  
- machinebehuizing: maak de  
machinebehuizing schoon met  
een vochtige doek of een spons  
en spoel met water af. Maak  
zorgvuldig droog.

Hermonteer vervolgens:

- slijpparaat:

breng het slijpparaat aan  
zoals is aangegeven in de af-  
beelding (Afb. G) tot het de  
juiste stand heeft bereikt;

- kroon:

Breng de kroon nauwgezet  
op diens plaats aan zoals is  
aangegeven in de afbeelding  
(Afb. H);

- de mesplaat:

1) hermonteer de mesplaat  
volgens de afbeelding; 2)  
laat de mesplaat 90 graden  
rechtsom draaien tot deze in  
de originele stand wordt ge-  
blokkeerd (Afb. I);

- vleestafel (uitsluitend voor  
machines met mechanisme  
voor de verwijdering van de  
vleestafel):


breng de vleestafel op de  
wagen aan. Verifieer of de  
bevestigingshendel in de  
originele stand terugkeert.  
Controleer of de dikterege-  
laar correct werkt en of de  
wagen ongehinderd kan be-  
wegen.

## ONDERHOUD

---

### Mes slijpen

De regelmaat en de duur van  
het slijpen hangen af van het  
gebruik van de apparatuur.

 **OPGELET!** We advise-  
ren om de aanwijzingen  
nauwgezet te volgen als de

machine is voorzien van een in-  
gebouwd slijpparaat. Neem  
contact op met de fabrikant  
of een van de erkende service-  
centra (zie SERVICE) als dit  
niet het geval is).

Volg de aanwijzingen voor het  
slijpen:

1. plaats de knop van de dik-  
teregelaar in de veilige stand  
(Afb. A);

2. verplaats de vleestafel hele-  
maal naar achteren (Afb. L);

3. haal het slijpparaat om-  
hoog (Afb. M), laat het draaien  
en plaats het in de slijpstand  
(Afb. N);

4. laat het slijpparaat los;

5. start het mes met een druk  
op de startknop;

6. slijp het mes door de knop  
van de slijpsteen 10-15 secon-  
den lang ingedrukt te houden  
(Afb. O - 1);

7. laat de knop weer los;

8. trek 2-3 seconden lang aan  
de knop van de fijne slijpsteen  
(Afb. O - 2);

9. laat de knop weer los;

10. breng het mes tot stilstand  
met een druk op de stopknop;

11. haal het slijpparaat om-  
hoog en draai het in de origine-  
le stand;

12. laat het slijpparaat los  
als het de juiste stand heeft  
bereikt;

13. maak de snijmachine  
schoon.

### Smeren

Als de machine een bepaalde  
periode lang gebruikt is, kan  
het zijn dat u de geleiders van  
de wagen moet smeren. We  
adviseren om deze handeling  
elke 3 maanden te verrichten.  
Gebruik voor het smeren uit-  
sluitend niet-zure olies (we  
adviseren vaseline-olie). Geen  
plantaardige olies gebruiken.

## ASSISTENTIE


---

In de verpakking zijn geen vervangende onderdelen aangebracht. Reparaties en vervangingen (zoals het vervangen of repareren van het mes, de riem, de elektrische componenten, onderdelen van de structuur, enz.) mogen uitsluitend worden verricht door personeel dat door de fabrikant is aangewezen.

Stuur de machine naar de fabrikant of een erkend servicecentrum als een reparatie nodig is.

Wend u tot

service@berkelinternational.com voor informatie over de servicecentra.

 **OPGELET!** *Het mes moet worden vervangen wanneer de afstand tussen de sneede van het mes en de binnenste rand van de bescherming groter dan 6 mm is.*

## GARANTIE EN AANSPRAKELIJKHEID

---

De machines van de fabrikant worden gedekt door een garantie van 24 maanden met ingang van de aankoopdatum. De garantie dekt uitsluitend defecten die worden vastgesteld bij een correct gebruik in overeenstemming met de aanwijzingen van de handleiding. De garantie dekt geen schade veroorzaakt door het transport, nalatigheid of onbekwaamheid van de koper, een verkeerde installatie of plaatsing, slijtage of een spanning die meer dan 10% hoger dan de nominale waarde is. De garantie dekt geen intrinsiek slijtagegevoelige onderdelen, zoals het mes en de slijpstenen van het slijpparaat, tenzij er

sprake is van een duidelijk defect in de productie.

De fabrikant acht zich niet direct of indirect aansprakelijk voor:

- de veronachtzaming van de aanwijzingen van deze handleiding;
- gebruik zonder naleving van de toepasselijke wetgeving van het land van installatie;
- onbevoegde reparaties en/of wijzigingen aan de machine;
- gebruik van niet-originele accessoires of onderdelen;
- buitengewone gebeurtenissen.

Bij een eigendomsoverdracht komt elke vorm van aansprakelijkheid van de fabrikant te vervallen, m.u.v. de naleving van de richtlijn 2006/42/EG (aansprakelijkheid voor elk defect in de productie van het product).

Het typeplaatje op het onderstel van de machine bevat de fabrikant, de machine, de technische informatie en de CE-markering.

## AFBRAAK EN VERWIJDERING

---

De machine is gemaakt van:

- aluminiumlegering;
- diverse componenten en elementen van roestvrij staal;
- elektrische onderdelen en kabels;
- elektromotor;
- kunststof, enz.

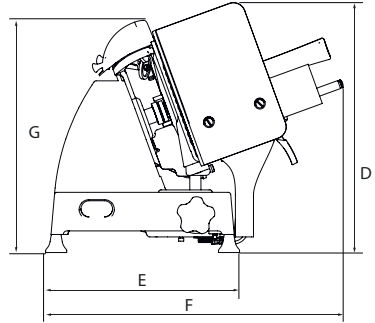
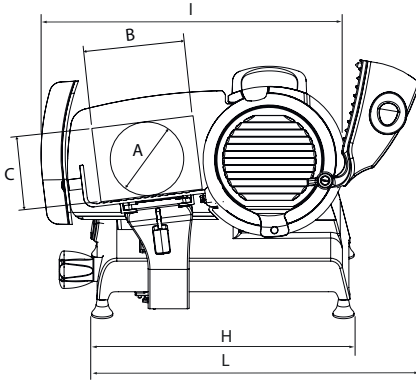
Wend u uitsluitend tot erkende bedrijven voor de eliminatie van de bovengenoemde materialen als de verwijdering door derden wordt verricht. Het apparaat bevat materialen die teruggewonnen of gerecycled kunnen worden. Een correcte gescheiden inzameling ervan bevordert de recycling. Breng

het apparaat aan het einde van de levensduur naar een inzamelpunt. Bij de lokale autoriteiten kunt u informatie inwinnen over de verwijdering.

## Problemen oplossen

PROBLEEM	MOGELIJKE OORZAAK	OPLOSSING
De machine schakelt niet in wanneer op de startknop wordt gedrukt	Geen voeding of controlecircuit defect	Controleer of de stekker goed is aan-gebracht. Neem contact op met het servicecentrum als het probleem niet kan worden verholpen
De machine schakelt in wanneer op de startknop wordt gedrukt, maar het lampje "machine aan" gaat niet branden	Lampje defect	De machine niet gebruiken als het lampje niet brandt. Contact opnemen met het servicecentrum
Te grote weerstand bij het snijden van het product	Het mes is bot	Slijp het mes
Bij belasting draait het mes langzamer of komt het tot stilstand	De riem kan losgeraakt of beschadigd zijn	Neem contact op met het servicecentrum om de riem te laten afstellen of vervangen
De machine stopt niet wanneer op de stopknop wordt gedrukt	Bedieningscircuit defect	Schakel de machine onmiddellijk uit, haal de stekker uit het stopcontact en neem onmiddellijk contact op met het servicecentrum
Te veel weerstand bij de verplaatsing van de bewegende componenten (vleesklem, wagen)	Geleiders niet regelmatig gesmeerd	De periodieke smering verrichten

## TECHNISCHE GEGEVENS



MODELLEN	220	250	300
A	168 mm	178 mm	230 mm
B	185 mm	185 mm	245 mm
C	160 mm	175 mm	225 mm
D	395 mm	395 mm	480 mm
E	320 mm	320 mm	385 mm
F	505 mm	505 mm	475 mm
G	390 mm	390 mm	430 mm
H	435 mm	435 mm	480 mm
I	490 mm	515 mm	635 mm
L	580 mm	570 mm	630 mm
SPECIFICATIES			
Snijcapaciteit (rond)	168 mm	178 mm	230 mm
Snijcapaciteit (rechthoekig)	185x160 mm	187x175 mm	245x225 mm
Maximale snijdikte	14 mm	14 mm	12 mm
Mesdiameter	220 mm	250 mm	300 mm
Gewicht	22 Kg	22 Kg	27 kg
Vermogen motor	0,19 kW	0,19 kW	0,31 kW

Opmerking: Zoals we voortdurend verbeteren van onze producten, kunnen de specificaties zonder voorafgaande kennisgeving worden gewijzigd.

## BRUKSANVISNING: Elektriske skjæremaskiner Red Line

## MODELLER:

RL220, RL250, RL300.

## MASKINDELER

1. Startknapp (hvit)
2. Stoppknapp (rød)
3. Typeskilt, tekniske data, CE-merking
4. Fot
5. Bryter for regulering av skivetykkelse
6. Tykkelsesplate (plate)
7. Sikkerhetsbeskyttelse
8. Produktholderplate
9. Håndtak for produktskyver
10. Skjæreblad
11. Sikkerhetsring (skjærebladdeksel)
12. Slipeenhet
13. Bryter for skjærebladdeksel
14. Skiveleder
15. Sokkel
16. Platestøtte
17. Produktskyver
18. Skive for skjærebladdeksel
19. Strømkabel

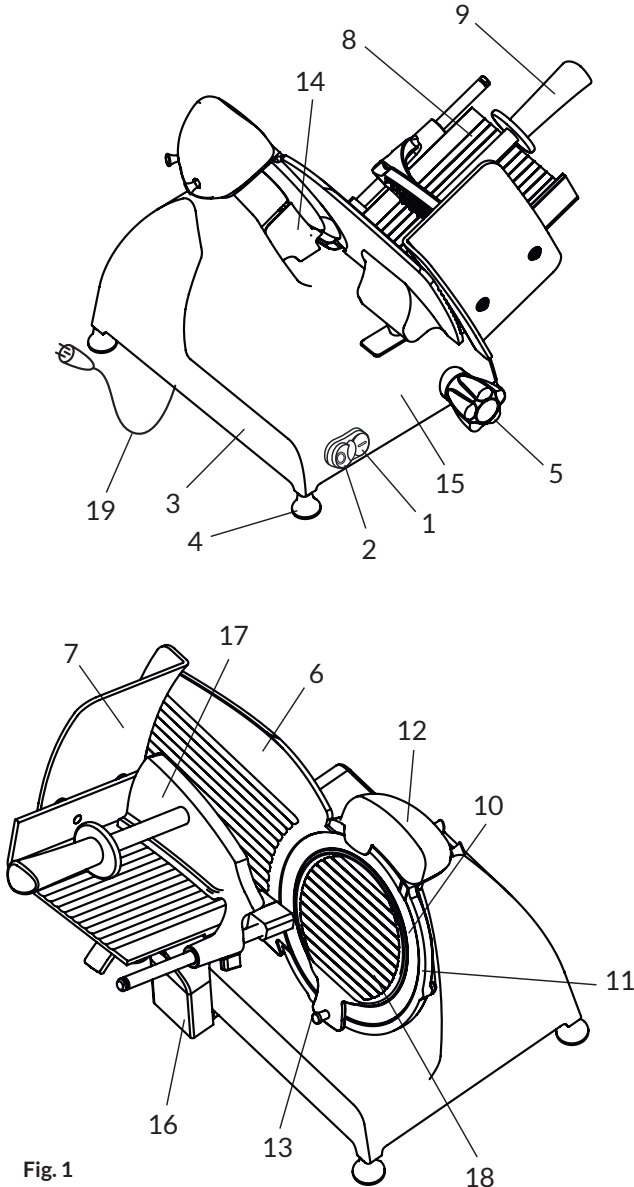


Fig. 1

## BESKRIVELSE

Profesjonelle skjæremaskiner med rundt knivblad, laget utelukkende for oppskjæring av matvarer av den typen og innenfor de dimensjonsgrensene som er angitt i denne bruksanvisningen. De viktigste delene som maskinen består av er illustrert i figur 1. Det elektriske skjemaet er angitt i figur 2.

## SAMSVARERKLÆRING

Maskinene som er beskrevet i denne bruksanvisningen er i samsvar med direktivene 2006/42/EF, 2006/95/EF, 2004/108/EF, 2003/108/EF, 2011/65/EF, med Europadirektivet (EF) 1935/2004 og tilhørende normativer EN 1974:1998 +A1, EN60204-1, EN60335-1, EN60335-2-64.



## SIKKERHET

For din egen sikkerhet, vær oppmerksom på følgende instruksjoner:

- Les alle instruksjonene grundig før du bruker maskinen;
- produktet er ikke laget for å brukes av barn;
- Bruk kun maskinen hvis du har fått skikkelig opplæring og er i utmerket fysisk og mental form;
- ikke bruk maskinen på noen måte annen den som er angitt i denne bruksanvisningen;
- installer maskinen i overensstemmelse med instruksjonene gitt i kapittelet 'Installasjon';
- installer maskinen på et sted der den er utenfor utenforståendes og særlig barns, rekkevidde;
- bruk maskinen med maksimal

konsentrasjon, ikke la deg distrahere under bruk;

- ikke la maskinen brukes av personale som ikke har lest og forstått innholdet i denne bruksanvisningen til fulle;
- ikke bruk løstsittende plagg eller plagg med vide ermer;
- ikke la noen, bortsett fra operatøren, nærme seg maskinen mens den er i funksjon;
- ikke fjern, dekk til eller endre etikettene som er plassert på selve maskinen. Skift dem ut hvis de skulle bli skadet;
- ikke fjern de gjennomsliktige beskyttelsene og ikke endre eller utelukke mekaniske og elektriske beskyttelser;
- skjær kun opp tillatte produkter, forsøk aldri å skjære opp produkter som ikke er tillatt;
- hold alltid området der det oppskårede produktet plasseres, arbeidsområdet rundt hele maskinen og gulvet der operatøren står rent og tørt;
- ikke bruk maskinen til å legge fra deg ting og ikke legg noen ting som ikke angår selve skjæreoperasjonen på maskinen;
- ikke bruk skjæremaskinen når avstanden mellom kanten på skjærebladet og sikkerhetsringen som beskytter bladet, som følge av normal slitasje, har oversteget 6 mm, i så tilfelle må du kontakte produsenten eller et autorisert serviceverksted for å få bladet skiftet ut;
- ikke bruk maskinen med elektriske koblinger av den provisoriske typen, slik som provisoriske eller ikke isolerte kabler;
- kontroller regelmessig tilstanden til strømkabelen og hylsen på maskinens hoveddel, skift dem ut om nødvendig Når det er behov for inngrep, ta kontakt med kvalifisert personale;
- stans maskinen umiddelbart

i tilfelle av defekter, unormal bruk, mistanke om skader, feilaktige bevegelser, uvanlige lyder;

- før du foretar rengjøring eller vedlikehold må du alltid koble maskinen fra strømmettet;
- bruk vernehansker for rengjøring og vedlikehold;
- plasser og flytt varene som skal skjæres opp på den bevegelige platen kun med vognen helt trukket tilbake og med bryteren for regulering av tykkelse plassert i sikkerhetsposisjon (Fig. A);
- for å bevege produktholderplaten under skjæring må du kun bruke håndtaket plassert på armen eller håndtaket på produktskyveren;
- det er ikke tillatt å bruke skjæretilbehør som ikke har blitt levert av produsenten sammen med maskinen. Produsenten fraskriver seg alt direkte og indirekte ansvar for situasjoner som skyldes upassende bruk, uautoriserte endringer og/eller reparasjoner utført på maskinen, eller bruk av ikke originale reservedeler og tilbehør. Maskinen må ikke brukes uten dørs og/eller utsatt for vær og vind, eller på steder der det finnes damp, røyk eller korroderende og/eller slipende støv, der det er fare for brann eller eksplosjon eller uansett der anvendelse av brannsikre komponenter er forutsatt.

Bruksbetingelser:

- Temperatur fra -5°C til +40°C
- Maks. fuktighet 95%

IKKE SKJÆR OPP:

- dypfrysede matvarer;
- frosne matvarer;
- matvarer med bein (kjøtt og fisk);

- alle eventuelle produkter som ikke er matvarer.

**ADVARSEL!** Motoren vil kunne overoppvarmes! Etter 15 minutter med kontinuerlig bruk må du slå av maskinen og la motoren avkjøles.

**!** Sikkerhetsringen rundt bladet er laget i samsvar med den europeiske standarden EN 1974:1998 +A1, men beskyttelsen av skjæreområdet kan likevel ikke fjerne faren for kutt fullstendig.

**!** **ADVARSEL!** Under rengjøring av og sliping av knivbladet må du utvise maksimal forsiktighet og holde hendene lengst mulig borte fra det ubeskyttede området. Vi anbefaler at du bruker beskyttende hansker.

## INSTALLASJON

Installer maskinen på et jevnt og glatt underlag som er i stand til å tåle vekten av selve maskinen pluss varene som skal skjæres opp.

**!** **OBS:** Kontroller at det ikke forekommer noen hindringer for platens løp og for plassering av varene som skal skjæres opp på selve platen.

Maskinen må installeres rett i nærheten av en stikkontakt som er i samsvar med CEE-standard og til et nett som er i samsvar med gjeldende standarder, utstyrt med:

- magnetotermisk beskyttelse;
- automatisk skillebryter;
- jording.

Før du kobler til maskinen må du kontrollere at egenskapene for strømmettet er i samsvar

med dem som er angitt på maskinens merkeetikett.

## BRUK AV SKJÆREMASKINEN

**!** **ADVARSEL! Skarpt skjæreblad, fare for kutt!** Kontroller at bryteren som regulerer tykkelsen på skiven (5) er i sikkerhetsposisjon (i posisjon 0) (Fig. A).

1. Trekk produktholderplaten (8) helt tilbake mot operatøren, i lasteposisjon (Fig. L);
2. løft produktskyveren (17) og sett den i hvileposisjon;
3. legg varene som skal skjæres opp på platen ved kanten av platen, operatørsiden. Blokker med produktskyveren ved å påføre et lett trykk;
4. reguler tykkelsen på skiven. Start skjærebladet (10) ved å trykke på startknappen. Grip tak i håndtaket på produktskyveren (9) og start den alternative skjærebevegelsen;
5. nær skjæringen er over setter du bryteren som regulerer tykkelsen tilbake i sikkerhetsposisjon og trekker materovnen tilbake. Stans bladets bevegelse ved å trykke på stoppknappen (2).

## RENGJØRING

Hold alltid maskinen ren. Hvis den er i bruk må den rengjøres minst en gang om dagen, eller hyppigere ved behov. Etter en periode der maskinen ikke har vært i bruk må den rengjøres også før bruk.

**!** **ADVARSEL! Fare for elektrisk støt!** Før du går videre med å rengjøre maskinen må du koble stikkontakten fra strømmettet og sette bryteren

som regulerer skivetykkelsen i sikkerhetsposisjon.

**!** **ADVARSEL! Skarpt knivblad, fare for kutt!** Kontroller at bryteren som regulerer tykkelsen på skiven (5) er i sikkerhetsposisjon (i posisjon 0) (Fig. A).

Rengjøringsprodukter: bruk utelukkende vann og skummende bionedbrytbart oppvaskmiddel. Bruk en myk klut og en halvstiv nylonbørste til områdene rundt platen og produktskyveren. Ikke rengjør maskinen med vannsprut eller damp eller lignende metoder.

Fortsett med å fjerne:

- produktholderplate (kun for maskiner utstyrt med mekanisme for fjerning av produktholderplaten):

- 1) Med bryteren for regulering av tykkelse trekker du platestøtten helt tilbake så langt det går, mot operatøren; 2) bruk spaken for frigjøring av platen, hold støtten helt trukket tilbake for å frigjøre produktholderplaten fra platestøtten. For å gjennomføre operasjonen korrekt vil det kunne være nødvendig å bruke også bryteren for regulering av tykkelse samtidig, ved å dreie den litt i forhold til sikkerhetsposisjonen; 3) trekk produktholderplaten ut ved å dra platen av støtten (Fig. B);
- skjærebladdeksel:

- 1) drei skjærebladdekslet 90° mot klokkeretningen ved hjelp av den tilhørende bryteren; 2) en fjær gjør det enklere å trekke ut skiven som beskytter blad (Fig. C);
- skiveleder:
- fjern skivelederen ved å føl-



- ge retningen som er vist i figuren (Fig. D);
- slipeenhet): fjern slipeenheten helt ved å trekke den oppover (Fig. E).

**⚠ ADVARSEL! Skarpt skjærebblad, fare for kutt!** For rengjøring av slipeområdet, platen, produktskyveren og bladet anbefaler vi at du bruker beskyttelseshansker.

- Fortsett med rengjøring av:
- skjæreblandet: press en fuktig klut mot overflaten på skjæreblandet og flytt den langsomt fra midten og utover, som vist i figuren (Fig. F), på knivdekselsiden og på motsatt side. Tørk på samme måte med en tørr klut;
  - sikkerhetsring: bruk en halvstiv børste i nylon til å rengjøre området mellom skjæreblandet og beskyttelsesringen;
  - maskinens hoveddel: rengjør selve maskinen med en myk klut eller svamp fuktet med vann. Tørk grundig.

Til sist fortsetter du med monteringen av:

- slipeenhet: fjern sett inn slipeenheten som i figuren (Fig. G) helt til den stanser i korrekt posisjon;
- skiveleder: Plasser skivelederen korrekt på plassen sin som vist i figuren (Fig. H);
- skjærebbladdeksel: 1) monter skjærebbladdekslet igjen om vist i figuren; 2) drei bladdekslet 90 grader mot klokkeretningen, til den blokkeres i startposisjonen (Fig. I);
- produktholderplate (kun for maskiner utstyrt med mekanisme for fjerning av produktholderplaten):

sett platen på matervognen, kontroller at festespaken går tilbake til startposisjon, kontroller at regulatoren for skivetykkelse fungerer korrekt og at matervognen beveger seg fritt.

## VEDLIKEHOLD

---

### Slipe bladet

Hvor lenge og hvor hyppig du bør slipe skjæreblandet avhenger av bruken av apparatet.

**⚠ ADVARSEL!** Hvis maskinen er utstyrt med en inkorporert slipeenhet, må du følge instruksjonene til punkt og prikke. I motsatt fall må du kontakte produsenten eller et autorisert serviceverksted (se SERVICE).

Følg disse instruksjonene for sliping:

1. plasser bryteren som regulerer skivetykkelsen i sikkerhetsposisjon (Fig. A);
2. trekk produktholderplaten helt tilbake (Fig. L);
3. løft slipeenheten (Fig. M), drei den for å plassere den i slipekonfigurasjonen (Fig. N);
4. slipp slipeenheten;
5. start bladet ved å trykke på startknappen;
6. foreta sliping av bladet ved å holde tasten på slipeskiven inne i 10-15 sekunder (Fig. O - 1);
7. slipp tasten;
8. trekk og hold tasten for finslipingsskiven ute i 2-3 sekunder della (Fig. O - 2);
9. slipp tasten;
10. stans bladets bevegelse ved å trykke på stoppknappen;
11. løft slipeenheten og drei den i opprinnelig posisjon;
12. slipp den til den stanser;
13. fortsett med rengjøring av skjæremaskinen.

### Smøring

Etter en viss brukperiode vil det kunne bli nødvendige å smøre sporene på vognen. Vi anbefaler uansett å foreta denne operasjonen hver 3. måned. Bruk kun ikke syreholdig olje (vi anbefaler vaselinolje) til smøring. Ikke bruk vegetabiliske oljer.

### ASSISTANSE

---

All utskifting og reparasjon (slik som utskifting eller reparasjon av skjæreblandet, reimen, elektriske deler, strukturelle deler, etc.), må kun gjennomføres av personale som er autorisert av produsenten.

Hvis det skulle bli nødvendig med en reparasjon må du levere maskinen tilbake til produsenten eller til et autorisert serviceverksted.

For informasjonen om serviceverksteder, ta kontakt med : [service@berkelinternational.com](mailto:service@berkelinternational.com).

**⚠ ADVARSEL! Det er påbudt å skifte ut skjæreblandet når avstanden mellom kanten på selve bladet og den innvendige kanten på beskyttelsen overstiger 6 mm.**

### GARANTI OG ANSVAR

---

Produsenten leverer maskinene med en garanti på 24 måneder, som løper fra kjøpsdato. Garantien dekker utelukkende defekter som har oppstått under korrekt bruk i henhold til instruksjonene og betingelsene gitt i denne bruksanvisningen. Garantien dekker ikke defekter som skyldes transport, inkompetanse eller skjødesløshet fra brukerens side, upassende eller feilaktig installasjon eller plassering, skader

som skyldes slitasje eller spenning over 10% over merkespenningen. Garantien dekker dessuten ikke komponenter som utsettes for regelmessig slitasje, slik som skjærebladet, slipeskivene, med mindre det er tydelige tegn på produksjonsfeil.

Produsenten fraskriver seg alt direkte eller indirekte ansvar for situasjoner som oppstår som følge av:

- manglende overholdelse av instruksjonene gitt i denne bruksanvisningen;
  - bruk som ikke er i samsvar med gjeldende regler og standarder i installasjonslandet;
  - uautoriserte endringer og/eller reparasjoner utført på maskinen;
  - bruk av ikke originalt tilbehør eller reservedeler;
  - eksepsjonelle hendelser.
- Overføring av maskinen til an-

dre fører til umiddelbart bortfall av alt produsentansvar, med unntak av overholdelse av direktivet 2006/42/EF (ansvar for alle eventuelle produksjonsfeil ved produktet).

Merkeplaten som er plassert nederst på maskinen identifiserer produsenten, maskinen, teknisk informasjon og CE-merkingen.

## DEMOLERING OG KASSERING

Maskinen består av:

- aluminiumslegering;
- forskjellige innlegg og komponenter i rustfritt stål;
- elektriske deler og elektriske kabler;
- elektrisk motor;
- plast, etc.

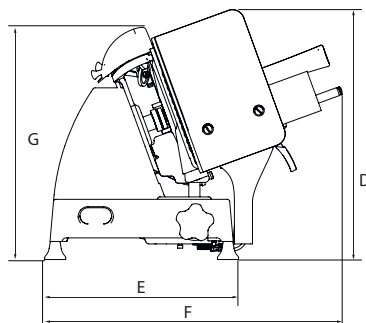
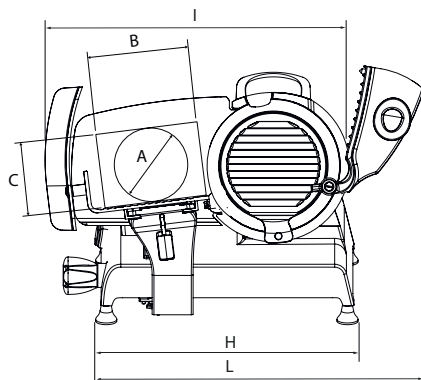
Hvis kassering er overlatt til tredjeparter må du kun henvende deg til selskaper som er

autorisert til å fjerne materialer som er angitt over. Enheten inneholder materialer som kan gjenvinnes eller resirkuleres. En korrekt kildesortering gjør resirkulering lettere. Etter endt levetid må maskinen leveres inn til en innsamlingsstasjon. Du kan få informasjon om kassering hos lokale myndigheter.

## Problemløsning

PROBLEM	MULIG ÅRSAK	LØSNING
Maskinen starter ikke når du trykker på startknappen	Manglende strømforsyning eller defekt kontrollkrets	Kontroller at støpselet sitter korrekt i, og ta kontakt med servicesenteret hvis problemet vedvarer
Når du trykker på startknappen starter maskinen, men lysindikatoren som viser funksjonen tennes ikke	Defekt indikator	Ikke bruk maskinen med lysindikatoren slukket. Ring service-verkstedet
Overdreven motstand ved skjæring av produktet	Bladet er ikke slipt	Slip knivbladet
Under belastning reduserer skjærebladet farten eller det stanser	Reimen kan være slakk eller skadet	Ta kontakt med serviceverkstedet for å regulere eller skifte ut reimen
Når du trykker på stoppknappen stanser ikke maskinen	Defekt kommandokrets	Stans maskinen umiddelbart ved å trekke ut støpselet fra stikkkontakten og kontakt umiddelbart serviceverkstedet
Overdreven motstand i komponentenes bevegelser bevegelige delene (produkskyver, matervogn)	Smøring av sporene ikke utført regelmessig	Foreta smøring regelmessig

## TEKNISKE DETALJER



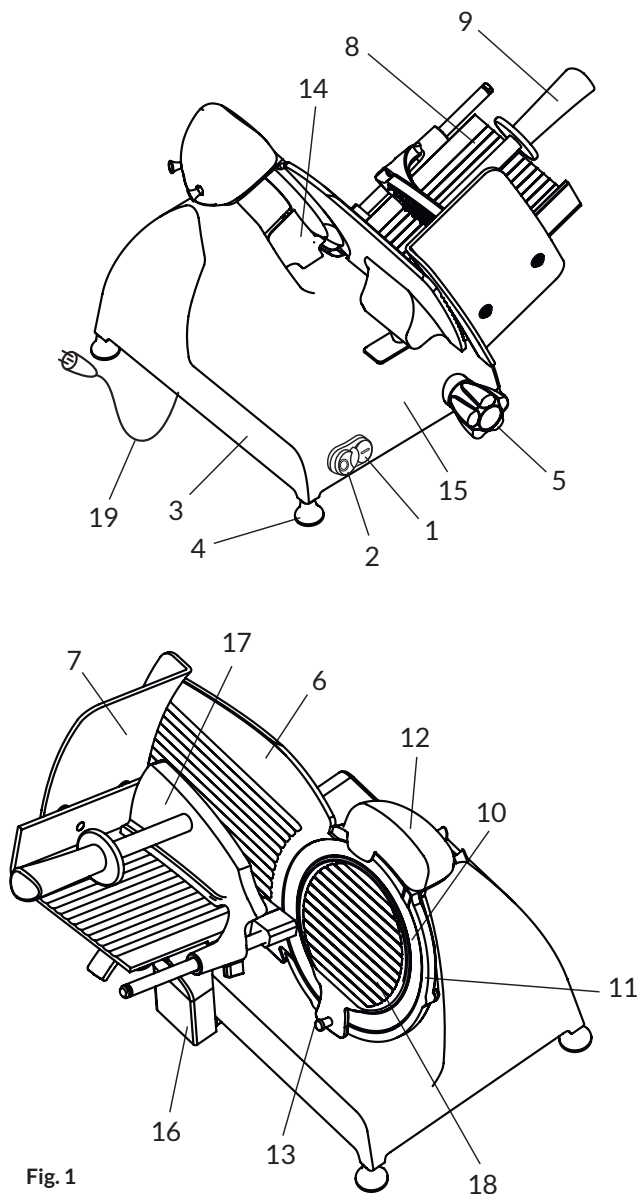
MODELL	220	250	300
A	168 mm	178 mm	230 mm
B	185 mm	185 mm	245 mm
C	160 mm	175 mm	225 mm
D	395 mm	395 mm	480 mm
E	320 mm	320 mm	385 mm
F	505 mm	505 mm	475 mm
G	390 mm	390 mm	430 mm
H	435 mm	435 mm	480 mm
I	490 mm	515 mm	635 mm
L	580 mm	570 mm	630 mm
SPESIFIKASJONER			
Sirkelformet skjærekapasitet	168 mm	178 mm	230 mm
Rektangulær skjærekapasitet	185x160 mm	187x175 mm	245x225 mm
Maksimal skivetykkelse	14 mm	14 mm	12 mm
Diameter skjæreblad	220 mm	250 mm	300 mm
Vekt	22 Kg	22 Kg	27 kg
Motoreffekt	0,19 kW	0,19 kW	0,31 kW

Merk: Som et resultat av kontinuerlig forskning for å kontinuerlig forbedre våre produkter, tekniske spesifikasjoner er gjenstand for mulige variasjoner.

## MODELOS:

RL220, RL250, RL300.

## PARTES DA MÁQUINA



1. Botão de arranque (branco)
2. Botão de parada (vermelho)
3. Placa de identificação, especificações técnicas, marcação CE
4. Pé de suporte
5. Manípulo de ajuste da espessura da fatia
6. Mesa fixa
7. Protecção de segurança
8. Mesa móvel
9. Alça do empurrador
10. Lâmina
11. Anel de segurança (protector da lâmina)
12. Afiador
13. Manípulo do protector da lâmina
14. Protector de fatia
15. Base
16. Suporte da mesa
17. Empurrador
18. Disco de cobertura da lâmina
19. cabo de alimentação

Fig. 1

## DESCRIÇÃO

---

Máquinas de cortar fiambre profissionais com lâmina circular, projectadas para cortar e fatiar exclusivamente produtos alimentares do tipo e dentro dos limites especificados neste manual. As principais partes componentes da máquina estão ilustradas na figura 1. O esquema eléctrico é mostrado na figura 2.

## DECLARAÇÃO DE CONFORMIDADE

---

As máquinas descritas neste manual estão em conformidade com as Directivas 2006/42/CE, 2006/95/CE, 2004/108/CE, 2003/108/CE, 2011/65/CE, com o Regulamento (CE) 1935/2004 do Parlamento Europeu e com as normas de referência (EN 1974:1998 +A1, EN 60204-1, EN 60335-1, EN 60335-2-64, etc.).



## SEGURANÇA

---

Preste a devida atenção às instruções aqui apresentadas para garantir a sua própria segurança:

- leia atentamente todas as instruções antes de utilizar a máquina;
- o produto não deve ser utilizado por crianças;
- o uso da máquina exige uma instrução adequada e que as faculdades psicofísicas do operador estejam em perfeitas condições;
- não utilize a máquina de formas diferentes das constantes neste manual de instruções
- instale a máquina respeitando as instruções incluídas no

parágrafo 'Instalação';

- instale a máquina num local fora do alcance das pessoas não envolvidas no trabalho e especialmente das crianças;
- mantenha-se concentrado nas suas tarefas durante o trabalho, não se distraia;
- a máquina não pode ser utilizada por pessoas que não tenham lido e compreendido o teor deste manual;
- não utilize vestuário largo ou com mangas largas e abertas;
- não permita que ninguém se aproxime durante as operações de corte do produto;
- não remova, cubra ou adulte as placas aplicadas ao corpo da máquina e substitua prontamente as placas ilegíveis;
- não remova as protecções transparentes e não modifique ou exclua as protecções mecânicas e eléctricas;
- corte exclusivamente os produtos permitidos e jamais tente cortar produtos de tipo proibido;
- mantenha a zona de apoio do produto cortado, toda a zona de trabalho ao redor da máquina e o pavimento sempre limpos e secos;
- não utilize a máquina como superfície de apoio, particularmente durante as operações de corte;
- não utilize a máquina de cortar fiambre se, devido ao desgaste, a distância entre o gume da lâmina e o anel de protecção for superior a 6 mm; se isso ocorrer, entre em contacto com o fabricante ou com um centro de assistência autorizado para a substituição da lâmina;
- não utilize a máquina com ligações eléctricas 'improvisadas', realizadas por meio de cabos provisórios ou não ade-

quadamente isolados;

- verifique periodicamente o estado do cabo de alimentação e do prensa-cabos junto ao corpo da máquina; substitua prontamente os componentes desgastados. Solicite a intervenção de um técnico qualificado sempre que houver a necessidade;
  - interrompa imediatamente o funcionamento da máquina na ocorrência de defeitos ou anomalias funcionais, suspeita de ruptura, movimentos não correctos, ruídos incomuns;
  - desconecte a máquina da rede de alimentação eléctrica antes de efectuar a limpeza ou intervenções de manutenção;
  - utilize luvas de protecção durante as operações de limpeza e manutenção;
  - apoie o produto sobre a mesa móvel (ou remova o produto a partir da mesma) somente se o carro estiver completamente recuado e o manípulo de ajuste da espessura estiver na posição de segurança (Fig. A);
  - para movimentar a mesa de suporte do produto durante a operação de corte utilize exclusivamente o manípulo de manobra situado no braço ou alça do empurrador;
  - não é permitido o uso de acessórios de corte que não tenham sido fornecidos pelo fabricante em conjunto com a máquina.
- O fabricante declina qualquer responsabilidade, directa e indirecta, que possa decorrer do uso inapropriado, alterações e/ou reparos efectuados sem autorização prévia, uso de acessórios e peças sobressalentes não originais.
- A máquina não pode ser utilizada em locais abertos e/ou expostos aos agentes atmosféricos.

ricos, em ambientes com presença de vapores, fumos ou pó corrosivo e/ou abrasivo, com riscos de incêndio ou explosão e, em geral, caso seja prescrito o uso de componentes à prova de explosão.

Condições ambientais de uso:  
- Temperatura de -5 °C a +40 °C  
- Humidade máx. 95%

#### NÃO CORTE:

- produtos alimentares congelados;
- produtos alimentares ultra-congelados;
- produtos alimentares com ossos (carne e pescado);
- qualquer outro produto não destinado a uso alimentar.

**! CUIDADO!** O motor pode sobreaquecer! Após 15 minutos de uso contínuo, desligue a máquina e deixe arrefecer o motor.

O anel de segurança ao redor da lâmina é realizado em conformidade com a norma europeia EN 1974:1998 +A1; no entanto, a protecção na área de afiação não elimina totalmente o risco de corte.

**! CUIDADO!** Durante as operações de limpeza da lâmina e afiação, preste a máxima atenção e mantenha as mãos o mais afastado possível da zona não protegida. Recomenda-se vivamente o uso de luvas de protecção.

#### INSTALAÇÃO

Instale a máquina sobre uma superfície bem nivelada, lisa, seca e adequadamente dimensionada para suportar o peso da máquina e do produto a cortar.

**! ADVERTÊNCIA:** Verifique a presença de eventuais obstáculos ao movimento da mesa e certifique-se de que a operação de carregamento do produto na própria mesa possa ser feita sem impedimentos.

A máquina deve ser instalada nas imediatas proximidades de uma tomada eléctrica CEE, derivada de uma instalação em conformidade com as normas vigentes e dotada de:

- protecção magnetotérmica;
- interruptor automático diferencial;
- instalação de ligação à terra.

Antes de estabelecer a conexão certifique-se de que as características da rede de alimentação eléctrica correspondam às indicadas na placa de identificação da máquina.

#### USO DA MÁQUINA DE CORTAR FIAMBRE

**! CUIDADO! Lâmina afiada, perigo de corte!** Certifique-se de que o manípulo de ajuste da espessura da fatia (5) esteja na posição de segurança (posição 0) (Fig. A).

1. Recue completamente a mesa móvel (8) para si até alcançar a correcta posição de carregamento (Fig. L);
2. levante o empurrador (18) e coloque-o na posição de repouso;
3. apoie o produto a cortar sobre a mesa móvel, próximo à borda da mesma, lado operador. Bloqueie o produto com o empurrador, exercendo uma ligeira pressão;
4. ajuste a espessura da fatia. Accione a lâmina (10) pressionando o botão de arranque.

Segure o manípulo do empurrador (9) e inicie o movimento alternado de corte;

5. ao término das operações de corte recolha o manípulo de ajuste da espessura na posição de segurança e recue o carro. Interrompa o movimento da lâmina actuando no botão de parada (2).

#### LIMPEZA

Mantenha a máquina sempre limpa. Se utilizada, deve ser limpa pelo menos uma vez por dia ou mais frequentemente se necessário. Recomenda-se, após um período de inactividade, limpar a máquina antes de reutilizá-la.

**! CUIDADO! Perigo de choque eléctrico!** Antes de proceder com a operação de limpeza da máquina desconecte a ficha da rede de alimentação eléctrica e coloque o manípulo de ajuste da espessura na posição de segurança.

**! CUIDADO! Lâmina afiada, perigo de corte!** Certifique-se de que o manípulo de ajuste da espessura da fatia (5) esteja na posição de segurança (posição 0) (Fig. A).

Produtos para a limpeza: utilize exclusivamente água e detergente espumoso biodegradável para utensílios de mesa, um pano macio e esponjoso e uma escova de nylon semi-rígida para as zonas da mesa e do empurrador afiadas e/ou pontiagudas. Não limpe a máquina com jactos de água ou vapor ou com métodos similares.

Remova gradualmente:

- a mesa móvel (somente para as máquinas dotadas de mecanismo para a remoção da mesa móvel):

1) com o manípulo de ajuste da espessura da fatia na posição de segurança, recue completamente o suporte da mesa para si, até atingir o fim-de-curso; 2) utilize a alavanca de desengate para extrair a mesa, mantendo o suporte completamente recuado para poder separar correctamente os dois componentes. Para realizar correctamente a operação pode ser necessário actuar contemporaneamente no manípulo de ajuste da espessura, girando-o ligeiramente a partir da sua posição de segurança; 3) extraia a mesa móvel separando-a do seu suporte (Fig. B);

- protector da lâmina:


1) gire a um ângulo de 90°, no sentido anti-horário, o disco de protecção da lâmina actuando no específico manípulo; 2) uma mola facilita a extracção do disco de protecção (Fig. C);

- protector de fatia:

remova o protector de fatia respeitando a direcção mostrada na figura (Fig. D);

- afiador:

remova completamente o grupo de afiação puxando-o para cima (Fig. E).

 **CUIDADO! Lâmina afiada, perigo de corte!** Recomenda-se vivamente o uso de luvas de protecção durante as operações de limpeza da área de afiação, das mesas, do empurrador e da lâmina.

Proceder com a operação de limpeza da:

- lâmina: pressione um pano humedecido contra a superfície da lâmina e mova-o lentamente a partir do centro para fora, conforme mostrado na figura (Fig. F), no lado do protector da lâmina e também no lado oposto. Seque executando a mesma operação e utilizando um pano seco;

- anel de segurança: utilize uma escova de nylon semi-rígida para limpar a zona compreendida entre a lâmina e o anel de protecção;

- corpo da máquina: limpe o corpo da máquina com um pano humedecido ou uma esponja e água. Seque cuidadosamente.

Em seguida, proceda com a montagem do:

- afiador:

insira o grupo afiador e posicione-o correctamente, conforme mostrado na figura (Fig. G);

- protector de fatia:

recoloque-o no seu alojamento original conforme mostrado na figura (Fig. H);

- protector da lâmina:

1) remonte o protector da lâmina conforme mostrado na figura; 2) gire no sentido horário, a um ângulo de 90°, o protector até bloqueá-lo na sua posição original (Fig. I);

- a mesa móvel (somente para as máquinas dotadas de mecanismo para a remoção da mesa móvel):


encaixe e a mesa no suporte, assegure-se de que a alavanca volte para a sua posição inicial, verifique o funcionamento do regulador de espessura da fatia e a fluidez do movimento do carro.

## MANUTENÇÃO

---

## Afiação da lâmina

Frequência e tempo de duração da afiação dependem do tipo de uso do equipamento.

 **CUIDADO!** Se a máquina estiver equipada com um grupo de afiação embutido, leia atentamente as instruções a seguir. Caso contrário, entre em contacto com o fabricante ou com um centro de serviço autorizado (consulte SERVICE).

Para proceder com a operação de afiação:

1. coloque o manípulo de ajuste da espessura da fatia na posição de segurança (Fig. A);
2. recue completamente a mesa móvel (Fig. L);
3. levante o afiador (Fig. M) e gire-o a fim de colocá-lo na configuração de afiação (Fig. N);
4. solte o afiador;
5. accione o movimento da lâmina pressionando o botão de arranque;
6. faça a afiação da lâmina mantendo o botão da mó pressionado por 10-15 segundos (Fig. O-1);
7. solte em seguida o botão supracitado;
8. puxe o botão da mó de acabamento e mantenha-o pressionado por 2-3 segundos (Fig. O-2);
9. solte o botão;
10. interrompa o movimento da lâmina actuando no botão de parada;
11. levante o afiador e gire-o até alcançar a sua posição original;
12. solte-o até o completo encaixe;
13. proceda com a operação de limpeza da máquina de cortar.

## Lubrificação

Após um período de uso re-

gular as guias do carro podem exigir uma operação de lubrificação. Em todo caso, é recomendável realizar este trabalho uma vez a cada 3 meses.

Utilize somente óleos não ácidos (nós aconselhamos óleo de vaselina). Não utilize óleo vegetal.


## ASSISTÊNCIA

---

A embalagem fornecida não inclui peças sobressalentes. Todas as operações de reparo e substituição (tais como de reparo e substituição da lâmina, correia, componentes eléctricos, peças estruturais etc.) devem ser efectuadas somente por técnicos autorizados pelo fabricante.

Se a máquina precisar de reparo, envie-a para o fabricante ou para um centro de assistência autorizado.

A fim de obter maiores informações em relação aos centros de assistência, escreva para: [service@berkelinternational.com](mailto:service@berkelinternational.com).

 **CUIDADO! A distância entre o gume da lâmina e a borda interior de protecção não deve exceder 6 mm: caso contrário, a lâmina deve ser obrigatoriamente substituída.**

## GARANTIA E RESPONSABILIDADE

---

O fabricante garante as suas máquinas por um período de 24 meses contados a partir da data de aquisição. A garantia cobre os defeitos eventualmente detectados somente se a máquina for utilizada em modo adequado e de acordo com as condições previstas neste manual. A garantia não cobre defeitos ocasionados

pelas operações de transporte, por imperícia ou negligência do comprador, instalação ou posicionamento inadequado, danos devido ao desgaste natural, tensão superior a 10% em relação ao valor nominal. Ademais, a garantia não cobre os componentes intrinsecamente sujeitos a desgaste, tais como a lâmina e as mós do afiador, excepto no caso de evidente defeito de fabrico.

O fabricante declina qualquer responsabilidade, directa e indirecta, que possa decorrer de:

- inobservância das instruções presentes no manual;
- uso não conforme com as normas dominantes no país de instalação;
- adulterações e/ou realização de reparos na máquina não autorizados;
- uso de acessórios e peças sobressalentes não originais;
- eventos extraordinários.

A transferência da propriedade da máquina implica a isenção do fabricante de qualquer responsabilidade, excepto no que respeita ao cumprimento da Directiva 2006/42/CE (responsabilidades por qualquer defeito de fabrico do produto).

A placa de identificação na base da máquina inclui o nome do fabricante, do modelo, as informações técnicas e a marcação CE.

## DEMOLIÇÃO E ELIMINAÇÃO

---

A máquina é constituída por:

- liga de alumínio;
- peças e componentes diversos em aço inoxidável;
- peças e cabos eléctricos;
- motor eléctrico;
- plástico, etc.

Se a eliminação for confiada a terceiros, dirija-se exclusiva-

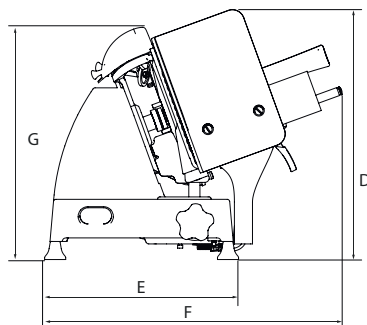
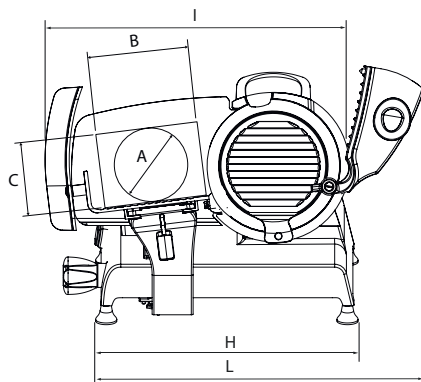
mente a empresas devidamente autorizadas a tratar os materiais supracitados. Contém materiais que podem ser recuperados ou reciclados. Uma colecta selectiva feita adequadamente facilita a operação de reciclagem. Ao término da vida útil leve o seu dispositivo para o ponto de colecta mais próximo. É também possível obter informações sobre a eliminação dirigindo-se às autoridades locais.



## Resolução de problemas

PROBLEMA	CAUSA PROVÁVEL	SOLUÇÃO
A máquina não liga após o accionamento do botão de arranque	Falta de alimentação eléctrica ou circuito de controlo defeituoso	Assegure-se de que o cabo de alimentação esteja conectado correctamente; entre em contacto com o serviço de assistência se o problema persistir
A máquina liga após o accionamento do botão de arranque, mas o indicador luminoso de funcionamento não se acende	Indicador luminoso defeituoso	Não utilize a máquina se o indicador luminoso estiver desligado. Entre em contacto com o serviço de assistência
Resistência excessiva ao movimento de corte do produto	Lâmina não afiada	Afie a lâmina
A lâmina durante o trabalho não possui movimento uniforme (desaceleração sob esforço) ou pára	Correia afrouxada ou danificada	Entre em contacto com o serviço de assistência para solicitar a regulação ou a substituição da correia
O funcionamento da máquina não é interrompido após o accionamento do botão de parada	Circuito de comando defeituoso	Interrompa imediatamente o funcionamento da máquina desconectando o cabo de alimentação da rede e entre prontamente em contacto com o serviço de assistência
Resistência excessiva ao movimento dos componentes móveis (empurrador, carro)	Lubrificação das guias corrediças não realizada periodicamente	Lubrifique periodicamente

## ESPECIFICAÇÕES TÉCNICAS



MODELO	220	250	300
A	168 mm	178 mm	230 mm
B	185 mm	185 mm	245 mm
C	160 mm	175 mm	225 mm
D	395 mm	395 mm	480 mm
E	320 mm	320 mm	385 mm
F	505 mm	505 mm	475 mm
G	390 mm	390 mm	430 mm
H	435 mm	435 mm	480 mm
I	490 mm	515 mm	635 mm
L	580 mm	570 mm	630 mm
ESPECIFICAÇÕES			
Capacidade de corte circular	168 mm	178 mm	230 mm
Capacidade de corte retangular	185x160 mm	187x175 mm	245x225 mm
Espessura máxima da fatia	14 mm	14 mm	12 mm
Diâmetro da lâmina	220 mm	250 mm	300 mm
Peso	22 Kg	22 Kg	27 kg
Potência do motor	0,19 kW	0,19 kW	0,31 kW

Nota: Como resultado da pesquisa contínua para melhorar continuamente os nossos produtos, especificações técnicas estão sujeitos a possíveis variações.

## MODELE:

RL220, RL250, RL300.

## PĂRȚI ALE MAȘINII

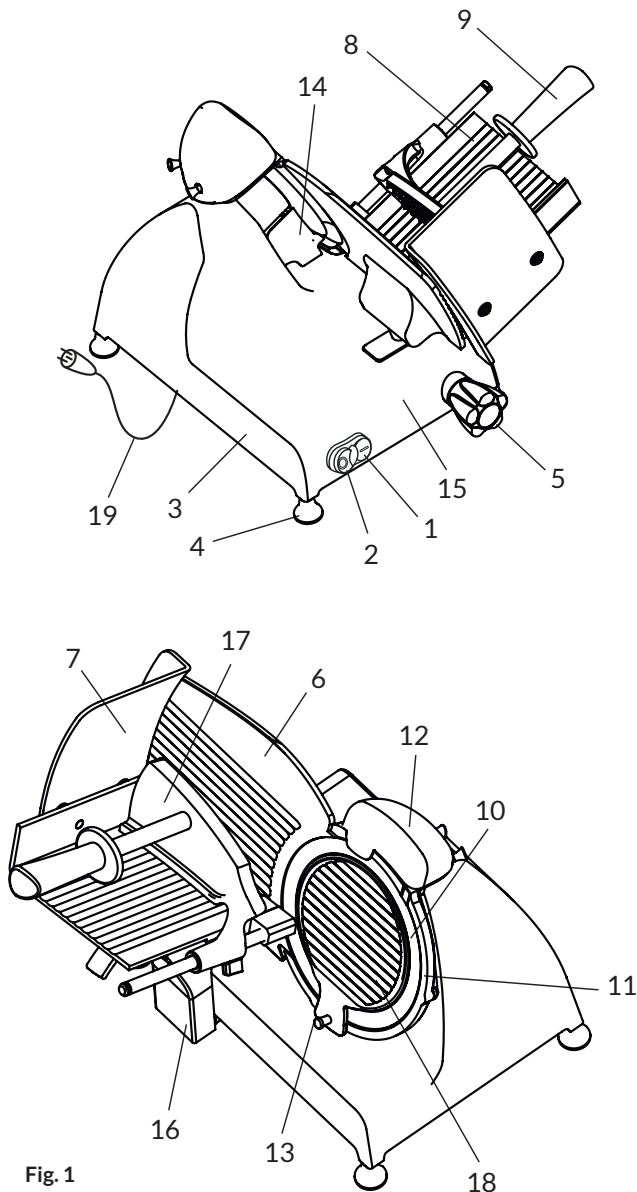


Fig. 1

1. Buton de pornire (alb)
2. Buton de oprire (roșu)
3. Plăcuță de identificare, date tehnice, Marcaj CE
4. Picior
5. Buton de reglare grosime felie
6. Placă calibru pentru grosime (pânză)
7. Protecție pentru siguranță
8. Platou produse
9. Buton dispozitiv de împingere
10. Lamă
11. Inel de siguranță (protecție lamă)
12. Dispozitivul de ascuțire
13. Buton protecție lamă
14. Deviator felii
15. Soclu
16. Suport platou
17. Dispozitiv de împingere
18. Disc de protecție lamă
19. Cablu de alimentare

## DESCRIERE

Mașini de feliat profesionale cu lamă circulară, proiectate să fie folosite exclusiv produse alimentare de tipul și în limitele de dimensiune indicate în prezentul manual. Piese principale care alcătuiesc mașina sunt ilustrate la figura 1. Schema electrică este indicată la figura 2.

## DECLARAȚIA DE CONFORMITATE

Mașinile prezentate în acest manual sunt conforme cu directivele 2006/42/CE, 2006/95/CE, 2004/108/CE, 2003/108/CE, 2011/65/CE, Regulamentul European (CE) 1935/2004 și standardele aferente EN 1974:1998 +A1, EN60204-1, EN60335-1, EN60335-2-64.



## SIGURANȚA

Pentru siguranța dvs., respectați următoarele instrucțiuni:

- citiți cu atenție toate instrucțiunile înainte de a utiliza mașina;
- produsul nu este recomandat a fi utilizat de către copii;
- utilizați mașina doar dacă sunt instruiți adecvat și aveți o stare psiho-fizică perfectă;
- nu utilizați mașina în alt mod decât cel indicat în prezentul manual;
- instalați mașina în conformitate cu instrucțiunile din paragraful Instalare;
- nu instalați mașina la îndemâna personalului nefamiliarizat cu operațiunile de utilizare și mai ales a minorilor;
- utilizați mașina cu mare atenție, nu vă lăsați distrași în timpul folosirii;
- evitați utilizarea de către per-

- sonalul care nu a citit și înțeles conținutul prezentului manual;
- nu folosiți îmbrăcăminte largă sau cu mâneci desfăcute;
- nu permiteți nimănui, cu excepția operatorului, să se apropie în timpul operațiunii de tăiere a produsului;
- nu îndepărtați, acoperiți sau modificați plăcuțele de pe corpul mașinii; în caz de deteriorare a acestora, înlocuiți-le;
- nu îndepărtați protecțiile transparente și nu modificați sau excludeți protecțiile mecanice și electrice;
- felițați doar produsele permise, nu încercați să faceți teste de tăiere cu produse de tip interzis;
- păstrați zona de sprijin a produsului feliat, zona de lucru din jurul mașinii și pardoseala de lucru mereu curate și uscate;
- nu utilizați mașina ca suprafață de sprijin și nu sprijiniți niciun obiect străin față de operațiunile normale de tăiere;
- nu folosiți mașina de feliat când, ca urmare a uzurii normale, distanța dintre tășul lamei și inelul de protecție a lamei a depășit 6 mm, în acest caz, contactați producătorul sau unul dintre centrele de service autorizate pentru înlocuirea lamei;
- nu utilizați mașina cu conexiuni electrice de tip temporar, cu cabluri provizorii sau neizolate;
- verificați periodic starea cablului de alimentare și a presetepei de pe corpul mașinii, înlocuindu-le în mod prompt. Când este necesar, adresați-vă personalului calificat pentru a efectua intervenția;
- opriți imediat mașina în caz de defecțiune, funcționare anormală, suspiciune de defecțiune, mișcări incorecte, zgomote ciudate;
- înainte de a curăța sau de a efectua intervenții de întreținere, deconectați mașina de la

- rețeaua de alimentare electrică;
  - folosiți mănuși de protecție pentru operațiunile de curățare și întreținere;
  - așezați și îndepărtați alimentul de feliat de pe platoul glisant doar atunci când căruciorul este complet retras și mânerul de reglare a grosimii este poziționat în siguranță (Fig. A);
  - pentru mișcarea platoului pentru produse în timpul operațiunii de tăiere, folosiți doar mânerul de manevră aflat pe brațul sau mânerul dispozitivului de împingere;
  - nu este permisă utilizarea accesoriilor de tăiere care nu au fost furnizate de producător împreună cu mașina.
- Producătorul își declină orice răspundere directă și indirectă ca urmare a utilizării inadecvate, a modificărilor și/sau reparațiilor neautorizate efectuate la mașină, a utilizării accesoriilor și pieselor de schimb neoriginale.
- Mașina nu poate fi utilizată în locuri deschise și/sau expuse la agenții atmosferice și în medii cu vapori, fum sau pulberi corozive și/sau abrazive, cu risc de incendiu sau explozie și unde este prevăzută utilizarea de componente antideflagrante.

Condiții ambientale de utilizare:

- Temperatura între -5°C și +40°C
- Umiditate max 95%

NU FELIAȚI:

- produse alimentare înghețate;
- produse alimentare congelate;
- produse alimentare cu os (carne și pește);
- orice alt produs nedestinat utilizării alimentare.



**ATENȚIE!** Motorul se poate supraîncălzi! După 15 minute de utilizare continuă, opriți mașina și lăsați motorul să

se răcească.

Inelul de siguranță din jurul lamei este realizat în conformitate cu norma europeană EN 1974:1998 +A1, totuși protecția zonei ascuțite nu elimină total riscul de tăiere.

**ATENȚIE!** În timpul operațiunilor de curățare a lamei ascuțite, țineți mâinile cât mai departe de zona neprotejată. Se recomandă folosirea mănușilor de protecție.

## INSTALARE

Instalați mașina pe o suprafață bine nivelată, uniformă, uscată și adecvată să susțină greutatea mașinii și a produsului de feliat.

**AVERTISMENT:** Verificați să nu existe blocaje la rularea platoului și la încărcarea alimentului de feliat pe platou.

Mașina trebuie instalată în imediata apropiere a unei prize conforme CEE inclusă într-o instalație care respectă standardele în vigoare și este prevăzută cu:

- protecție magneto-termică;
- întrerupător automat diferențial;

- instalație de împământare.

Înainte de efectuarea conexiunii, verificați dacă caracteristicile rețelei de alimentare electrică corespund celor indicate pe plăcuța cu datele mașinii.

## UTILIZAREA MAȘINII DE FELIAT

**ATENȚIE! Lamă ascuțită, pericol de tăiere!** Verificați ca mânerul de reglare a grosimii feliei (5) să fie în poziție de siguranță (în poziția 0) (Fig. A).

1. Retrageți complet platoul pentru produse (8) spre operator, în poziția de încărcare (Fig. L);
2. ridicați dispozitivul de împingere (17) și așezați-l în poziția de repaus;
3. sprijiniți alimentul de feliat pe platou la adăpost de marginea acestuia, pe latura operator. Blocați folosind dispozitivul de împingere și exercitați o presiune ușoară;
4. reglați grosimea feliei. Acționați lama (10) apăsând butonul de pornire. Prindeți mânerul dispozitivului de împingere (9) și începeți mișcarea alternativă de tăiere;
5. la finalizarea operațiunilor de tăiere, readuceți în siguranță pe poziție mânerul de reglare a grosimii și opriți căruciorul. Opriți mișcarea lamei apăsând butonul de oprire (2).

## CURĂȚAREA

Păstrați mașina în stare perfectă de curățenie. Dacă este utilizată, aceasta trebuie curățată cel puțin o dată pe zi, crescând frecvența dacă este necesar. După o perioadă de inactivitate, se recomandă curățarea și înainte de prima utilizare.

**ATENȚIE! Pericol de electrocutare!** Înainte de a curăța mașina, deconectați ștecherul de la rețeaua de alimentare electrică și aduceți în siguranță mânerul de reglare a grosimii.

**ATENȚIE! Lamă ascuțită, pericol de tăiere!** Verificați ca mânerul de reglare a grosimii feliei (5) să fie în poziție de siguranță (în poziția 0) (Fig. A).

Produse pentru curățare: utilizați doar apă și detergent spumos biodegradabil pentru

vase folosind o cârpă moale, buretoasă și o perie din nylon semirigidă pentru zonele platoului și ale dispozitivului de împingere ascuțit. Nu curățați mașina cu jeturi de apă sau vapori ori metode similare.

Procedura de îndepărtare a:

- platoul pentru produse pentru mașinile dotate cu mecanismul de îndepărtare a platoului pentru produse):

- 1) Cu mânerul de reglare a grosimii în siguranță, retrageți suportul platoului complet, până la sfârșitul cursei, spre operator;
- 2) folosiți pârghia de deblocare a platoului, menținând suportul la sfârșitul cursei, pentru eliberarea platoului de produse din suportul aferent. Pentru efectuarea corectă a operațiunii poate fi necesar să acționați simultan și asupra mânerului de reglare a grosimii rotind ușor raportat la poziția de siguranță;
- 3) extrageți platoul pentru produse glisând platoul din suport (Fig. B);

- protecție lamă:

- 1) rotiți la 90° în sens antiorar discul de protecție a lamei cu ajutorul mânerului aferent;
- 2) un arc facilitează extragerea discului de protecție a lamei (Fig. C);

- deviator felii:

îndepărtați deviatorul feliei respectând direcția indicată în figură (Fig. D);

- dispozitivul de ascuțire:

îndepărtați grupul de ascuțire complet trăgând în sus (Fig. E).

**ATENȚIE! Lamă ascuțită, pericol de tăiere!** Pentru operațiunile de curățare a zonei de ascuțire, a platoului, a dispozitivului de împingere și a lamei se recomandă utilizarea mănuși-

lor de protecție.

Continuați cu curățarea:

- lamei: aplicați o cârpă umedă pe suprafața lamei și deplasați-o lent de la centru spre exterior, ca în figură (Fig. F), pe latura protecției lamei și pe latura opusă. Uscați, în același mod, utilizând o cârpă uscată;

- inelul de siguranță: utilizați peria de nylon semirigidă pentru a curăța zona cuprinsă între lamă și inelul de protecție;

- corpul mașinii: curățați corpul mașinii cu o cârpă umedă sau un burete clătind cu apă. Uscați cu grijă.

În cele din urmă, reasambalți:

- dispozitivul de ascuțire: introduceți grupul de ascuțire ca în figură (Fig. G), până la oprirea acestuia în poziția corectă;

- deviator felii:

Așezați deviatorul felii în locaș ca în figură (Fig. H);

- protecție lamă:

1) Montați la loc protecția lamei ca în figură; 2) rotiți 90 de grade în sens orar protecția lamei, până la blocarea în poziția inițială (Fig. I);

- platoul pentru produse (doar pentru mașinile dotate cu mecanismul de îndepărtare a platoului pentru produse):

introduceți platoul pe cărucior, verificați dacă pârghia de fixare revine în poziția inițială, controlați funcționarea corectă a regulatorului pentru grosimea feliilor și dacă căruciorul alunecă în mod liber.

## ÎNȚREȚINERE

### Ascuțirea lamei

Periodicitatea și durata ascuțirii depind de utilizarea echipamentului.

**ATENȚIE!** Dacă mașina este dotată cu grup de ascuțire încorporat, se recomandă să respectați atent instrucțiunile. În caz contrar, contactați producătorul sau unul dintre centrele de service autorizate (a se consulta SERVICE).

Pentru ascuțire, urmați instrucțiunile:

1. poziționați în siguranță mânerul de reglare a grosimii feliilor (Fig. A);
2. retrageți complet platoul pentru produse (Fig. L);
3. ridicați dispozitivul de ascuțire (Fig. M), rotiți-l pentru a-l poziționa în configurația de ascuțire (Fig. N);
4. eliberați dispozitivul de ascuțire;
5. porniți lama apăsând butonul de pornire;
6. ascuțiți lama menținând apăsat 10-15 secunde butonul discului de rectificat (Fig. O-1);
7. eliberați butonul susmenționat;
8. trageți și mențineți astfel timp de 2-3 secunde butonul discului de rectificat pentru finisare (Fig. O-2);
9. eliberați butonul;
10. opriți mișcarea lamei apăsând butonul de oprire;
11. ridicați dispozitivul de ascuțire și rotiți-l în poziția originală;
12. eliberați-l până la oprire;
13. curățați mașina de feliat.

### Lubrifierea

După o anumită perioadă de utilizare regulată a mașinii, poate fi necesară lubrifierea ghidajelor căruciorului. Recomandăm efectuarea acestei operațiuni la fiecare 3 luni. Pentru lubrifiere, utilizați doar ulei non acid (vă recomandăm ulei de vaselină). Nu folosiți uleiuri vegetale.

## ASISTENȚĂ

Nu sunt furnizate piese de schimb în interiorul ambalajului. Toate activitățile de reparații și înlocuire (înlocuirea sau reparația lamei, curelei, componentelor electrice, pieselor structurale, etc.) trebuie desfășurate exclusiv de personal autorizat de producător.

Dacă este necesară reparația, se recomandă să duceți mașina la producător sau un centru de service autorizat.

Pentru informații privind centrele de service, adresați-vă : [service@berkelinternational.com](mailto:service@berkelinternational.com).

**ATENȚIE!** Este obligatorie înlocuirea lamei când distanța dintre tăișul acesteia și marginea internă a protecției depășește 6 mm.

## GARANȚIE ȘI RĂSPUNDERE

Producătorul furnizează mașini cu o garanție de 24 de luni de la data achiziției. Garanția acoperă doar defectiunile cauzate ca urmare a utilizării adecvate conform condițiilor de folosire prevăzute în manual. Garanția nu acoperă alte defecte datorate transportului, incompetenței sau neglijenței cumpărătorului, instalării sau amplasării inadecvate, daunelor de uzură, tensiunii care depășește 10% din valoarea nominală. În plus, garanția nu acoperă componentele supuse intrinsec uzurii, precum lama și discurile de rectificat ale dispozitivului de ascuțire, cu excepția unui defect de producție evident.

Producătorul își declină orice răspundere directă sau indirectă derivată din:

- nerespectarea instrucțiunilor din manual;

- utilizarea neconformă cu standardele din țara de instalare;
- modificările și/sau reparațiile neautorizate la mașină;
- utilizarea accesoriilor și a pieselor de schimb neoriginale;
- evenimente excepționale.

Transferul de proprietate a mașinii presupune exonerarea imediată de orice răspundere din partea producătorului, cu excepția prevederilor directivei 2006/42/CE (răspunderea pentru orice defect de producție al produsului).

Plăcuța de identificare de la baza mașinii indică producătorul, mașina, informațiile tehnice și marcajul CE.

## **DEZMEMBRARE ȘI ELIMINARE**

Mașina este alcătuită din:

- aliaj de aluminiu;
- inserturi și diferite componente din oțel inoxidabil;
- piese electrice și cabluri electrice;
- motor electric;
- plastic, etc.

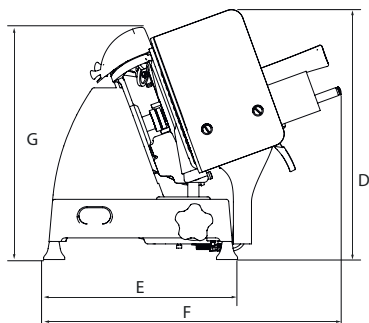
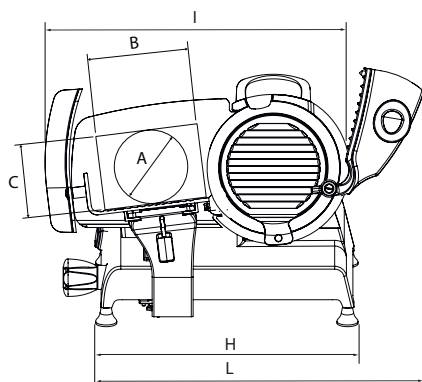
Dacă dezmembrarea este realizată de terți, adresați-vă doar companiilor autorizate pentru eliminarea materialelor indicate mai sus. Dispozitivul conține materiale care pot fi recuperate sau reciclate. Colectarea diferențiată corectă facilitează reciclarea. La sfârșitul duratei de viață,

depozitați dispozitivul la un punct de colectare. Puteți obține informații despre dezmembrare de la autoritățile locale.

## **Rezolvarea problemelor**

PROBLEMĂ	CAUZĂ POSIBILĂ	SOLUȚIE
Mașina nu pornește la apăsarea butonului de pornire	Lipsa alimentării sau circuit de control defect	Verificați dacă ștecherul este introdus corect, dacă problema persistă contactați centrul de service
Mașina pornește la apăsarea butonului de pornire însă nu se aprinde indicatorul luminos de funcționare	Indicator defect	Nu utilizați mașina cu indicatorul luminos stins. Apelați serviciul de asistență
Rezistență excesivă la tăierea produsului	Lama nu este ascuțită	Ascuțiți lama
Forțarea lamei determină încetinirea sau oprirea acesteia	Cureaua poate fi slăbită sau deteriorată	Contactați centrul de service pentru reglarea sau înlocuirea curelei
Apăsând butonul de oprire mașina nu se oprește	Circuit de comandă defect	Opriti imediat mașina scoțând ștecherul din rețea și adresați-vă imediat centrului de service
Rezistență excesivă la mișcarea componentelor glisante (dispozitiv de împingere, cărucior)	Lubrifierea ghidajelor de alunecare nu a fost efectuată periodic	Efectuați lubrifierea periodică

## DETALII TEHNICE



MODEL	220	250	300
A	168 mm	178 mm	230 mm
B	185 mm	185 mm	245 mm
C	160 mm	175 mm	225 mm
D	395 mm	395 mm	480 mm
E	320 mm	320 mm	385 mm
F	505 mm	505 mm	475 mm
G	390 mm	390 mm	430 mm
H	435 mm	435 mm	480 mm
I	490 mm	515 mm	635 mm
L	580 mm	570 mm	630 mm
SPECIFICAȚII			
Capacitate de tăiere circulară	168 mm	178 mm	230 mm
Capacitate de tăiere rectangulară	185x160 mm	187x175 mm	245x225 mm
Grosime maximă felie	14 mm	14 mm	12 mm
Diametru lamă	220 mm	250 mm	300 mm
Greutate	22 Kg	22 Kg	27 kg
Putere motor	0,19 kW	0,19 kW	0,31 kW

Notă: Ca rezultat al cercetării continue pentru a îmbunătăți continuu produsele noastre, specificațiile tehnice sunt supuse unor posibile variații.



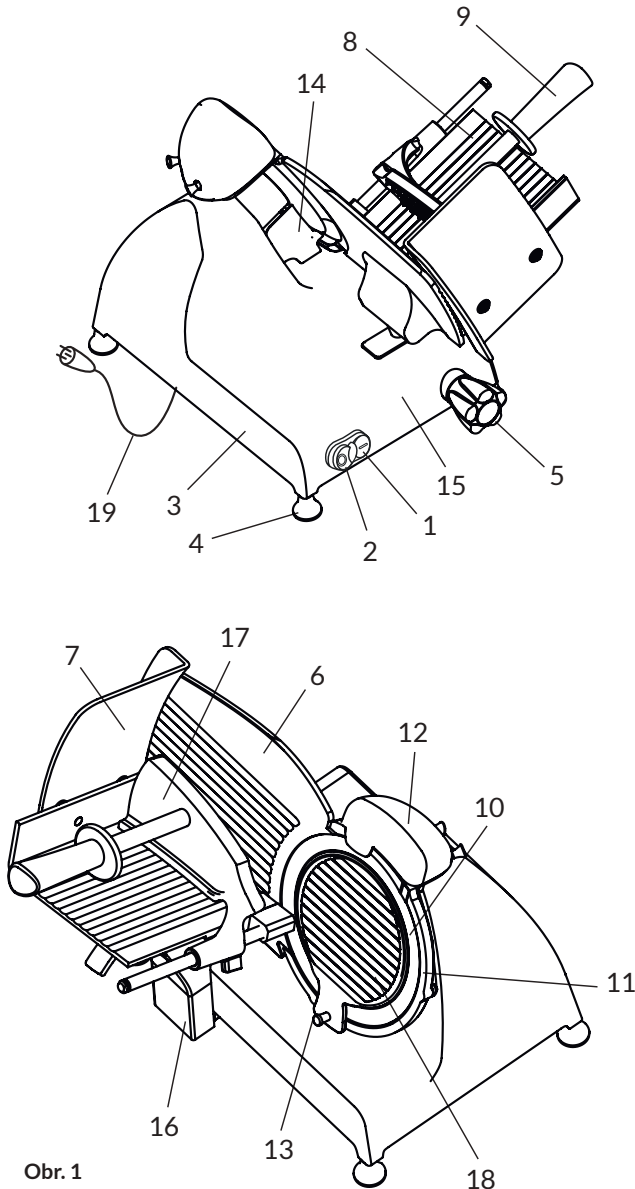
## NÁVOD NA POUŽITIE: Elektrické krájače Red Line

### MODELÝ:

RL220, RL250, RL300.

### ČASTI STROJA

1. Spúšťacie tlačidlo (biele)
2. Vypínacie tlačidlo (červené)
3. Identifikačný štítok, technické údaje, Označenie CE
4. Nôžka
5. Rukoväť na reguláciu hrúbky plátky
6. Doska hrúbkomeru (plachta)
7. Bezpečnostný kryt
8. Nosná doska
9. Rukoväť prítlačného prvku
10. Nôž
11. Bezpečnostný krúžok (kryt noža)
12. Brúsik
13. Rukoväť krytu noža
14. Kryt plátkov
15. Základňa
16. Podpera dosky
17. Prítlačný prvok
18. Krycí kotúč noža
19. Napájací kábel



Obr. 1

## POPIS

---

Krájač s kruhovou čepeľou vhodný len pre krájanie potravinárskych produktov v rámci rozmerových limitov uvedených v tejto príručke. Hlavné časti, ktoré tvoria zariadenie sú znázornené na obrázku 1. schéma zapojenia je znázornená na obrázku 2.

## BEZPEČNOSŤ

---

Prístroj opísaný v tejto príručke je v súlade so smernicami 2006/42 / CE - 2006/95 / CE - 2004/108 / CE a európskymi normami EN 1974: 1998 + A1 s ohľadom na bezpečnosť proti mechanickým rizikám:

Krájač - špecifikácia hygieny a bezpečnosti .



## ZABEZPEČENIA

---

Venujte pozornosť nasledujúcim základným bezpečnostným opatreniam:

- Pred použitím si prečítajte všetky pokyny;
- Tento produkt nie je určený na používanie deťmi;
- S prístrojom pracujte iba za predpokladu dôkladného preškolenia a v perfektnej psychickej i fyzickej kondícii;
- Nepoužívajte krájač iným spôsobom, než je uvedené v tomto návode;
- Používajte krájač iba v plne štruktúrálné, mechanické a systémove efektívite;
- Zariadenie inštalujte v súlade s pokynmi uvedenými v kapitole „ Inštalácia „;
- Zariadenie inštalujte na mieste mimo dosahu nepovolovaných osôb, najmä mimo dosahu detí a mladistvých;

- Počas používania zostaňte vysoko koncentrovaný a vyvarujte sa rozptyľovaniu;
- Nenechávajte krájač používať ďalšie osoby, ktoré si nenaštudovali obsah tejto príručky;
- Počas krájania nenoste voľné oblečenie ,alebo oblečenie s voľnými rukávami;
- Nedovoľte nikomu ďalšiemu, okrem obsluhy, priblížiť sa k prístroju počas procesu krájania;
- Neodstraňujte, nezakrývajte ani neupravujte značky umiestnené na tele prístroja a v prípade ich poškodenia ich okamžite vymeňte;
- Neodstraňujte, neupravujte ani neobchádzajte žiadne mechanické ochranné zariadenia;
- Krájajte len povolené produkty, nezakúšajte rezať zakázané typy iných produktov;
- Okolitú pracovnú plochu a podlahu udržiavajte vždy v čistote a v suchu;
- krájač nepoužívajte ako odkládaciu plochu a nekladte naň žiadne iné objekty ako potraviny, ktoré je možné na krájači krajať;
- Nepoužívajte krájač, pokiaľ presahuje v dôsledku bežného opotrebovania vzdialenosť medzi okrajom čepele a ochranným krúžkom čepele 6 mm. V tomto prípade kontaktujte výrobcu alebo jedného z autorizovaných servisných centier pre výmenu čepele;
- Prístroj nepoužívajte s dočasnými a s neizolovanými kablami, predlžovacími šnúrami ,alebo rozdvojkami;
- Pravidelne kontrolujte stav napájacieho káblu na tele prístroja. V prípade potreby požiadajte kvalifikovaný personál o jeho výmenu;
- v prípade poškodenia, abnormálnej prevádzky, podozrenia na poruchu, nesprávneho pohy-

bu, alebo neobvyklých zvukov, okamžite zastavte stroj;

- Pred čistením ,alebo údržbou vypojte prístroj z elektrickej siete;

- Počas čistenia a údržby používajte ochranné rukavice;

- Potraviny, ktoré treba nakrájať, kladte a odoberajte z posuvnej dosky len za predpokladu, že je vozík úplne stiahnutý a s gombíkom pre reguláciu sily plátok v bezpečnej pozícii (pozícia 0) (Obr. A);

- Pre pohyb posuvnej dosky počas krájania používajte len rukoväť umiestnenú na ramene prístroja, alebo úchyt produktu;

- Počas krájania nikdy nekladte ruky na potraviny. Vždy držte ruky za ochranným zariadením, čo najďalej od čepele; Je zakázané používať doplnky na krájanie, ktoré nie sú poskytované výrobcom.

Výrobca odmieta akúkoľvek zodpovednosť vyplývajúcu z nevhodného používania, úprav , alebo oprav vykonaných užívateľom ,alebo neautorizovanou osobou, použitie náhradných dielov, ktoré nie sú originálne ,alebo konkrétne pre model prístroja.

Stroj sa nesmie používať v otvorených priestoroch, alebo v priestore, ktorý je vystavený poveternostným vplyvom , pár, dymu ,alebo korozívnych a abrazívnych prachov, pri riziku vzniku požiaru ,alebo výbuchu a v každom inom prípade, kde je vyžadované využívanie nevybušných zložiek.

Podmienky používania:

- Teplota od -5 ° C do + 40 ° C
- Maximálna vlhkosť 95%

NEKRÁJAJTE:


- Zmrznuté potravinárske produkty;

- Potravinárske produkty s kosťou;

- Akýkoľvek iný výrobok, ktorý nie je určený na použitie v potravinách.


## ZOSTÁVAJÚCE RIZIKÁ

Hoci je bezpečnostný krúžok vyrobený v súlade s európskymi normami EN 1974: 1998 + A1but, aby bolo možné ďalšie brúsenie čepele, nemusí ochrana v oblasti ostrenia úplne eliminovať riziko porezania.

 **POZOR!** Počas čistenia a brúsenia čepele venujte zvýšenú pozornosť, aby sa Vaše ruky držali čo najďalej od nechránenej oblasti. Odporúčujeme používať ochranné rukavice.

## INŠTALÁCIA PRÍSTROJA

Prístroj inštalujte na rovný, hladký a suchý povrch vhodný pre udržanie hmotnosti prístroja vč.váhy krájaných produktov.


 **POZOR:** Overte si, že pri pohybe s posuvnou doskou a pri nakladaní produktu neexistujú žiadne prekážky.

Prístroj musí byť inštalovaný v bezprostrednej blízkosti štandardnej zásuvky pripojené k systému elektrického napájania, ktorý je v súlade s predpismi:

- Magneticko-termická ochrana;
- Automatický diferenciálny spínač;
- Systém uzemnenia.

Pred vykonaním elektrického pripojenia overte, že vlastnosti elektrického napájania sú v súlade s požiadavkami uvedenými na informačnom štítku stroja.

## POUŽITIE

 **POZOR!** Skontrolujte, či je gombík pre reguláciu sily

plátku (5) v bezpečnej pozícii (pozícia 0) (Obr. A).

1. Úplne stiahnite posuvnou doskou (8) smerom k obsluhu do pozície nakladania (Obr. L);

2. nadvihnite úchyt produktu (17) do pohotovostnej polohy;


3. produkt, ktorý potrebujete nakrájať, umiestnite na posuvnú dosku, blízko k strane obsluhu. Upevnite úchyty produktu ľahkým zatlačením;


4. upravte silu plátku. Aktivujte čepeľ (10) stlačením tlačidla štart. Uchopte rukoväť úchytu produktu (9) a začnite s krájiacim pohybom;

5. Po dokončení krájania vráťte gombík pre reguláciu sily plátku do bezpečnej pozície a zatiahnite posuvnou doskou späť. Pohyb čepele zastavte stlačením tlačidla stop (2).

## ČISTENIE

Pred použitím prístroj čistite aspoň raz denne, alebo aj častejšie - ak je nevyhnutné - a vždy pred použitím po dlhej dobe nečinnosti.

 **POZOR!** Pred čistením vyberte zástrčku zo zásuvky a gombík pre reguláciu sily plátku umiestnite do bezpečnostnej polohy.

 **POZOR!** Skontrolujte, či je gombík pre reguláciu sily plátku (5) v bezpečnej pozícii (pozícia 0) (Obr. A).

Čistiace produkty: používajte iba vodu a biologicky odbúrateľný jemný čistiaci prostriedok, mäkkú handričku, špongiu, alebo polotuhú nylónovú kefu na ostré plochy dosky a držiaky produktu. Neumývajte stroj prúdom vody, alebo parou

a podobnými metódami.

## Demontaž:

- Pohyblivá doska (len pre stroje vybavené s odnímateľným mechanizmom pohyblivé dosky):

- 1) s gombíkom pre reguláciu sily plátok v bezpečnej polohe, úplne stiahnite vozík smerom k obsluhu; 2) uvoľnite páčku posuvnej dosky k udržaniu stiahnutej polohy za účelom uvoľnenia posuvnej dosky z podstavca. Pre správne vykonanie operácie môže byť potrebné súčasne ľahko otáčať gombíkom pre reguláciu sily plátok s ohľadom na bezpečnostnú polohu; 3) vytiahnite držiak produktu vysunutím posuvnej dosky z podstavca (Obr. B);


- Kryt čepele:

- 1) otočte krytom čepele o 90° proti smeru hodinových ručičiek pomocou špeciálneho gombíka; 2) pružina uľahčuje vytiahnutie krytu čepele (Obr. C);

- Deflektor krájania: odstráňte deflektor krájania nasledovaním značenia na obrázku (Obr. D);

- Brúsku:

- Odstráňte kompletné brúsku smerom nahor (Fig. E).

 **POZOR!** Pri čistení ostrých plôch dosky, držiaka produktu a čepele, odporúčame používať ochranné rukavice.

## Čistenie:

- Čepeľ: stlačte vlhkou handričkou na povrchu čepele a pomaly utrietajte zo stredu smerom von k strane krytu ostrie a na opačnú stranu (Obr. F). Rovnakým spôsobom osušte suchou handričkou. NIKDY prístroj počas čistenia čepele nezapínajte;
- Bezpečnostný krúžok: použite

jemný kefu na očistenie priestoru medzi čepeľou a bezpečnostným krúžkom. Budte opatrný a NEPRIBLIŽUJTE ruky k čepeľi;  
- Telo stroja: použijete vlhkú handričku alebo špongiu, často oplachujte teplou vodou, vždy starostlivo osušte.

#### Zmontovanie:

- Brúsku:

vložte brúsku do jednotky, ako je znázornené na obrázku (Obr. G), kým sa nezastaví v správnej polohe;

- Deflektor krájaní:

usadte deflektor krájaní (Obr. H);

- Krytka čepele:

namontujte kryt na nože a otáčajte o 90 ° v smere hodinových ručičiek, kým nezapadne do svojej pôvodnej polohy (Obr. I);

- Posuvna doska (len pre stroje vybavené odnímateľným mechanizmom posuvnej dosky):

vložte posuvnú dosku na vozík, skontrolujte, či sa istíacia páka vrátila do pôvodnej polohy, overte si, či vozík voľne kľže a skontrolujte správnu funkciu gombíka na reguláciu sily plátkov.

## ÚDRŽBA

### Brúsenie čepele

Frekvencia a trvanie brúsenia závisí na používaní zariadenia.

Pre brúsenie dodržujte tieto pokyny:

1. Gombík pre reguláciu sily plátkov umiestnite do bezpečnostnej polohy (Obr. A);

2. úplne stiahnite posuvnú dosku (Obr. L);

3. nadvihnite brúsik (Obr. M) a otočte ho do požadovanej polohy pre ostrenie (Obr. N);

4. uvoľnite brúsny kameň;

5. aktivujte čepeľ stlačením tlačidla štart;

6. ostrenie čepele vykonávajte stlačením tlačidla pružiny po dobu 10-15 sekúnd (Obr. O-1);

7. uvoľnite vyššie uvedené tlačidlá;

8. zatiahnite a podržte tlačidlo pružiny po dobu 2-3 sekúnd a uvoľnite tlačidlo (Obr. O-2);

9. zastavte pohyb čepele stlačením tlačidla stop;

10. nadvihnite brúsik a otočte ho do jeho pôvodnej polohy;

11. uvoľnite ho až na doraz;


12. pokračujte v čistení krájača.

### Mazanie

Po pravidelnom používaní, môže byť potrebné premazať vozík. Odporúčame opakovať tento postup každých 6 mesiacov. Pre mazanie používajte iba oleje bez kyselín (odporúčame vazelína). Nepoužívajte rastlinný olej.

### SERVIS

Vo vnútri prístroja sa nenachádzajú žiadne užívateľské opraviteľné súčasti. Zverte kvalifikovaným osobám. Všetky opravy a náhrady (ako výmena čepele, výmena motorového remeňa, výmena komponentov elektrických systémov, opravy konštrukčných dielov, oprava, alebo náhrada komponentov základovej dosky) sa musia vykonať výlučne výrobcom poverenou osobou. V prípade, že je potrebné vykonať servis, môžete krájač vrátiť výrobcovi, alebo odovzdať v centre autorizovaného servisu. Pre informácie o servisných strediskách nás kontaktujte na: [service@berkelinternational.com](mailto:service@berkelinternational.com).

 **POZOR! Výmena čepele je povinná v prípade, že vzdialenosť medzi okrajom če-**

**pele a vnútorného okraja krytu presahuje 6 mm.**

### ZÁRUKA A ZODPOVEDNOSŤ

Výrobca dodáva prístroj s obmedzenou zárukou 24 mesiacov od dátumu nákupu. Záruka sa vzťahuje len na chyby vzniknuté za podmienok určeného použitia, počas správnej manipulácie. Záruka sa nevzťahuje na chyby vzniknuté spôsobom dopravy, nedbalosťou kupujúceho, nesprávnou inštaláciou, neoprávnenými zásahmi, alebo v prípade prirodzeného opotrebenia, alebo pri kolísaní napätia vyšším ako 10% menovanej hodnoty. Okrem toho sa záruka nevzťahuje na komponenty podliehajúce opotrebovaniu, ako sú napríklad čepele a brúsky s výnimkou zjavnej výrobné chyby.

Výrobca odmieta akúkoľvek priamu aj nepriamu zodpovednosť pochádzajúcu z:

- Nedodržania pokynov uvedených v tomto návode na obsluhu;
- Použitia, ktoré nie je v súlade s osobitnými predpismi v krajine inštalácie;
- Neoprávnené modifikácie, alebo opravy vykonávané na stroji;
- Používanie neoriginálnych doplnkov a náhradných dielov;
- Mimoriadných udalostí.

Prevod vlastníctva prístroja automaticky zbavuje výrobcu zodpovednosti za príslušný prístroj. Identifikačný štítok zospodu dosky označuje výrobcu, prístroj a technické informácie a CE.

### LIKVIDÁCIA KRÁJAČA

Mechanika sa skladá z:

- Hliník / liatinová štruktúra;
- Klíny a súčasti z nerezovej ocele;
- Elektrické časti a elektrické káble;

- Elektrický motor;
- Plastový materiál, atď.

V prípade, že demontáž a likvidáciu zverujete tretej strane, využívajte len autorizované spoločnosti s povolením likvidovať vyššie uvedený materiál.

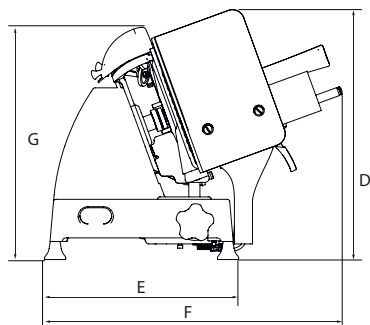
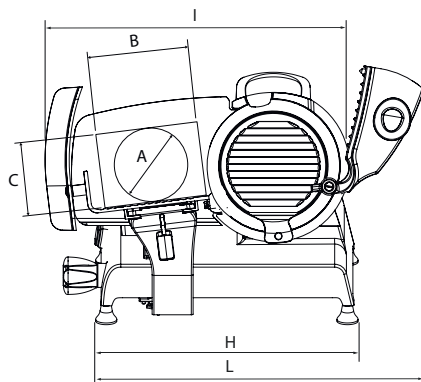
Prístroj je v súlade so smernicou EÚ 2012/19 / UE. Baliace materiály a zariadenia obsahujú recyklovateľné materiály. Váš spotrebič obsahuje hodnotné materiály, ktoré môžu byť získané späť alebo je možné recyklovať. Delenie zostávajúcich odpadových

materiálov uľahčuje recykláciu cenných surovín. Zariadenia ponechajte na zbernom mieste. Informáciu o likvidácii môžete získať od lokálneho úradu.

## Riešenie problémov

PROBLÉM	PRAVDEPODOBNÁ PRÍČINA	REMEDY
Po stlačení tlačidla napájania na počítači nespustí	Výpadku elektrického prúdu alebo chybná riadiaci obvod	Skontrolujte, či je zástrčka správne zasunutá, ak problém pretrváva, obráťte sa na servisné stredisko
Po stlačení tlačidla Štart sa spustí stroj, ale nezapne indikátora jasnú prevádzkovú	Chybná žiarovka	Nepoužívajte stroj, keď svetlo. Obráťte sa na servisné stredisko
Nadmerné odpor proti rezanie výrobku	Čepeľ nie je ostrý	brúsiť nože
Čepeľ počas cvičenia spomalí alebo zastaví	Pás môže byť voľný alebo poškodený	Obráťte sa na servisné stredisko upraviť alebo vymeniť remeň
Ak je tlačidlo stop, stroj sa nezastaví	Riadiaci obvod chybný	Okamžite zastaviť stroj vybratím zo zásuvky okamžite a obráťte sa na servisné stredisko
Nadmerné odpor proti pohybu klzných komponentov (prítlačný prvok, suport)	Klzné vedenie mazanie sa nerobí pravidelne	Tvorba pravidelné mazanie

## PODROBNÉ TECHNICKÉ ÚDAJE



MODEL	220	250	300
A	168 mm	178 mm	230 mm
B	185 mm	185 mm	245 mm
C	160 mm	175 mm	225 mm
D	395 mm	395 mm	480 mm
E	320 mm	320 mm	385 mm
F	505 mm	505 mm	475 mm
G	390 mm	390 mm	430 mm
H	435 mm	435 mm	480 mm
I	490 mm	515 mm	635 mm
L	580 mm	570 mm	630 mm
ŠPECIFIKÁCIE			
Výkon pri kruhovom rezaní	168 mm	178 mm	230 mm
Výkon pri obdĺžnikovom rezaní	185x160 mm	187x175 mm	245x225 mm
Maximálna hrúbka plátky	14 mm	14 mm	12 mm
Priemer noža	220 mm	250 mm	300 mm
Hmotnosť	22 Kg	22 Kg	27 kg
Výkon motora	0,19 kW	0,19 kW	0,31 kW

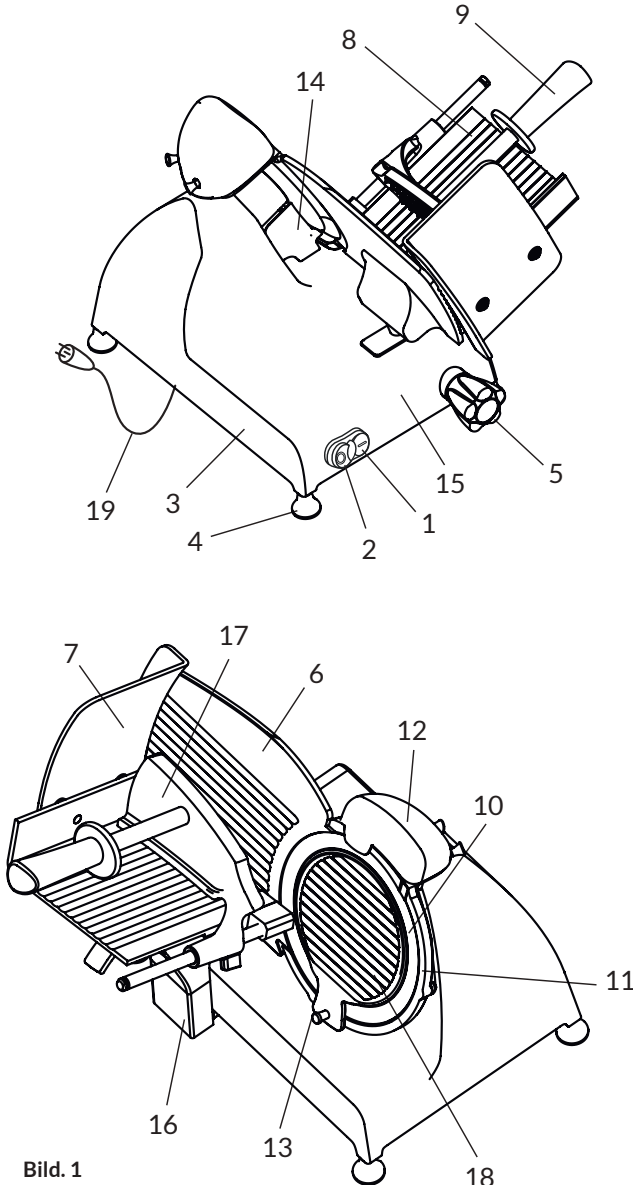
Poznámka: V dôsledku neustáleho výskumu neustále zlepšovať naše výrobky, technické špecifikácie sú predmetom možných variácií.

## BRUKSANVISNING: Elektriska skärmaskiner Red Line

## MODELLER:

RL220, RL250, RL300.

## MASKINDELAR



1. Startknapp (vit)
2. Stoppknapp (röd)
3. Märkplåt, tekniska specifikationer, CE-märkning
4. Fot
5. Tjockleksvred
6. Skivtjockleksplatta (tjockleksmätare)
7. Skydd
8. Produkthållarplatta
9. Produktpressens handtag
10. Klinga
11. Skyddsring (klingskydd)
12. Sliptillsats
13. Vred på klingskyddet
14. Skivskydd
15. Sockel
16. Stöd till plattan
17. Produktpress
18. Skiva till klingskydd
19. Matningskabel

Bild. 1

## BESKRIVNING

---

Professionella skärmaskiner med cirkelformad klinga. Maskinerna är framställda för att skära enbart sådana livsmedel vars typ och storlek finns angivna i denna bruksanvisning. I bild 1 visas maskinens huvudsakliga beståndsdelar. Kopplingsdiagrammet finns i bild 2.

## FÖRSÄKRAN OM ÖVERENSSTÄMMELSE

---

Maskinerna som finns beskrivna i denna bruksanvisning överensstämmer med direktiv 2006/42/EG, 2006/95/EG, 2004/108/EG, 2003/108/EG, 2011/65/EU, Europaparlamentets och rådets förordning (EG) nr. 1935/2004 och respektive standarder EN 1974:1998 +A1, EN60204-1, EN60335-1, EN60335-2-64.



## SÄKERHET

---

För er säkerhet ber vi att ni följer nedanstående anvisningar:

- läs noggrant igenom alla anvisningar innan ni använder maskinen;
- produkten är inte avsedd att användas av barn;
- den person som använder maskinen ska ha fått lämplig utbildning och vara i god psykisk och fysisk form;
- använd inte maskinen på något sätt som skiljer sig från beskrivningen i denna bruksanvisning;
- installera maskinen i enlighet med anvisningarna i avsnittet 'Installation';
- installera maskinen på en plats där den är utom räckhåll för personer som inte är be-

- kanta med hur den ska användas, och framför allt på en plats utom räckhåll för minderåriga;
- var alltid koncentrerad när du använder maskinen och undvik att distraheras av annat;
- låt inte personal som inte läst och förstått allt innehåll i denna bruksanvisning använda maskinen;
- bär inte löst sittande kläder eller kläder med öppna ärmar;
- låt inte någon annan än användaren närma sig maskinen medan produkten skärs;
- det är förbjudet att ta bort, täcka eller ändra plåtarna som sitter på maskinstommen. Om de skadas ska de omedelbart bytas ut;
- avlägsna inte de transparenta skydden, och ändra eller frånkoppla inte de mekaniska och elektriska skydden;
- skär endast tillåtna livsmedel. Försök inte att skära produkter som är förbjudna;
- området där den skivade produkten placeras, arbetsområdet runt maskinen och golvet användaren står på ska alltid vara rena och torra;
- använd inte maskinen som en stödyta och placera inga föremål som inte hör hemma under normala skivningsarbeten på den;
- använd inte skärmaskinen när mellanrummet mellan klinga och klingskydd på grund av normalt slitage överskrider 6 mm. I sådant fall ska man kontakta tillverkaren eller ett behörigt serviceföretag för att byta ut klingan
- använd inte maskinen med grenuttag, förlängningsslagdar eller med provisoriska eller icke isolerade kablar;
- kontrollera regelbundet skicket på strömkabeln och kabeltätningen på maskinstom-

- men. Byt ut vid behov. Om det krävs ska man kontakta kvalificerad personal för detta ingrepp;
- stanna omedelbart maskinen om du upptäcker en defekt eller felfunktion, om du misstänker att maskinen är sönder, om den gör felaktiga manövrer eller ger ifrån sig ovanliga ljud;
- innan man påbörjar rengöring eller underhållsarbete ska man koppla bort maskinen från elnätet;
- använd skyddshandskar under rengöring och underhållsarbete;
- när man placerar eller tar bort produkten som ska skivas på/från glidplattan ska vagnen alltid vara i helt tillbakadraget låga och tjockleksvredet ska vara ställt till säkert läge (Bild A);
- man får endast använda det manövreringshandtag som finns på pressens arm eller kullhandtag för att förflytta produktållarplattan under drift;
- det är inte tillåtet att använda skärningstillbehör som inte levererats av tillverkaren tillsammans med maskinen. Tillverkaren avsäger sig allt direkt och indirekt ansvar som kan härledas från en felaktig användning, icke godkända justeringar och/eller reparationer på maskinen eller användning av tillbehör eller reservdelar som inte är original. Maskinen får inte användas utomhus och/eller på platser där den utsätts för väder och vind. Inte heller får den användas i miljöer med ångor, rök eller frätande och/eller slipande damm, i miljöer med risk för brand eller explosion, och inte på någon plats där användning av explosionssäkra komponenter föreskrivs.




Miljömässiga förhållanden under drift:


- Temperatur mellan -5°C och +40°C
- Maximal fuktighet 95%

#### SKIVA INTE:

- frysta livsmedel;
- djupfrysta livsmedel;
- livsmedel med ben (kött och fisk);
- några produkter som inte är livsmedel.


 **OBSERVERA!** Motorn kan överhettas! Efter 15 minuters kontinuerlig drift ska man stänga av maskinen och låta motorn svalna.

Skyddsringen runt klingan är framställd i enlighet med den europeiska föreskriften EN 1974:1998 +A1. Dock kan inte skyddet i slipningsområdet helt eliminera risken att skära sig.

 **OBSERVERA!** Under rengöring eller slipning av klingan ska man vara mycket uppmärksam och hålla händerna på så långt avstånd från det oskyddade området som möjligt. Vi rekommenderar att man bär skyddshandskar.

#### INSTALLATION

Installera maskinen på en jämn, slät, torr yta som tål att belastas med maskinens vikt plus vikten på de varor som ska skivas.


 **WARNING:** Kontrollera att det inte finns något som hindrar produkt hållarplattans slaglängd eller matning av de livsmedel som ska skivas.

Maskinen ska installeras i närheten av ett uttag som överensstämmer med gällande EEC-föreskrift, kopplat till ett system som överensstämmer med gällande föreskrifter och vara försett med:

- termomagnetiskt skydd;
- automatisk differentialbrytare;
- jordningssystem.

Innan anslutning ska man kontrollera att elsystemets specifikationer överensstämmer med informationen på maskinens identifikationsplåt.

#### ANVÄNDA SKÄRMASKINEN


 **OBSERVERA!** Risk att skära sig på vass klinga! Kontrollera att vredet för att ställa in skivans tjocklek (5) är ställt till säkert läge (läge 0) (Bild A).


1. Dra tillbaka produkt hållarplattan (8) helt mot användaren, till läget för matning (Bild L);
2. höj pressen (17) och ställ den i viloläge;
3. placera varorna som ska skivas på plattan i närheten av kanten på användarsidan. Blockera produkten genom att trycka lätt med pressen;
4. ställ in skivans tjocklek. Starta klingan (10) genom att trycka på startknappen. Ta tag om pressens handtag (9) och sätt igång den alternerande skärningsrörelsen;
5. när skivningen avslutats ska man ställa tillbaka tjockleksvredet i säkert läge och dra tillbaka vagnen. Stoppa klingans rörelse genom att trycka på stoppknappen (2).

#### RENGÖRING

Håll alltid maskinen ren. Om

maskinen används måste den rengöras minst en gång om dagen eller oftare vid behov. Efter en period när maskinen stått oanvänd rekommenderar vi att den rengörs innan användning.

 **OBSERVERA!** Risk för elektrisk stöt! Innan man börjar rengöra maskinen ska man koppla ur stickkontakten från elnätet och ställa tjockleksvredet i säkert läge.

 **OBSERVERA!** Risk att skära sig på vass klinga! Kontrollera att vredet för att ställa in skivans tjocklek (5) är ställt till säkert läge (läge 0) (Bild A).

Rengöringsprodukter: använd endast vatten och ett biologisk nedbrytbart skumdiskmedel för köksgeråd. Använd en mjuk skumtrasa och en flaskborste i nylon för att rengöra platta och press. Rengör aldrig maskinen med vatten eller ångstrålar eller liknande metoder.

Gå vidare till att ta bort:

- produkt hållarplatta (endast för maskiner som är försedda med en mekanism för att avlägsna produkt hållaren):

- 1) Ställ tjockleksvredet till säkert läge, dra tillbaka stödet till stoppläge mot användaren; 2) använd spaken för att lossa plattan och håll samtidigt kvar stödet i stoppläge, för att lossa produkt hållaren från stödet. För att kunna utföra ovanstående moment korrekt kan man samtidigt behöva vrida även tjockleksvredet och låta det rotera något i förhållande till dess säkra läge; 3) dra

ut produkthållaren genom att lossa plattan från stödet (Bild B);

- klingskydd:

1) vrid klingskyddet 90° i moturs riktning med hjälp av det till syftet avsedda vredet; 2) en fjäder gör det lättare att dra ut klingskyddet (Bild C);

- skivskydd:

ta bort skivskyddet i den riktning som visas i bilden (Bild D);

- sliptillsats:

avlägsna hela sliptillsatsen genom att dra den uppåt (Bild E).

**! OBSERVERA! Risk att skära sig på vass klinga!**

Vi rekommenderar att man använder skyddshandskar när man rengör slipningsområdet, plattan, pressen och klingan

Gå vidare till att rengöra:

- klingan: tryck en mjuk trasa mot klingan och för trasan försiktigt från mitten och utåt, som på bilden (Bild F), både på sidan med klingskyddet och den andra sidan. Torka efter på samma sätt med en torr trasa;

- skyddsring: använd en flaskborste i nylon för att rengöra området mellan klingan och skyddsringen;

- maskinstomme: rengör maskinstommen med en fuktig trasa eller en svamp och skölj med vatten. Torka noggrant.

Montera slutligen tillbaka:

- sliptillsats:

sätt in sliptillsatsen som på bilden (Bild G), tills den stoppar i korrekt läge;

- skivskydd:

Sätt noggrant skivskyddet på plats enligt vad som visas i bilden (Bild H);

- klingskydd:

1) montera tillbaka klingskyddet som på bilden; 2) vrid klingskyddet 90 grader i medurs riktning, tills det blockeras i sitt ursprungliga läge (Bild I);

- produkthållarplatta (endast för maskiner som är försedda med en mekanism för att avlägsna produkthållaren):

sätt in plattan på vagnen, kontrollera att låsningsspaken återställs till ursprungsläget, kontrollera att tjockleksvredet fungerar som det ska och att vagnen rör sig obehindrat.

## UNDERHÅLL

### Slipning av klinga

Hur ofta och hur länge man ska slipa maskinen beror på hur apparaten används.

**! OBSERVERA!** Om maskinen är försedd med en inbyggd slip rekommenderar vi att man följer anvisningarna noggrant. I annat fall ska man kontakta tillverkaren eller ett behörigt serviceföretag för att byta ut klingan (se SERVICE).

Vid slipning ska man:

1. ställa tjockleksvredet i säkert läge (Bild A);
2. dra tillbaka produkthållarplattan helt (Bild L);
3. lyfta sliptillsatsen (Bild M) och vrida den till läget för slipning (Bild N);
4. släppa tillbaka sliptillsatsen;
5. starta klingan genom att trycka på startknappen;
6. slipa klingan genom att hålla slipens knapp intryckt under 10-15 sekunder (Bild O-1);
7. släppa den ovannämnda knappen;
8. dra och håll kvar knappen för

fin slipning under 2-3 sekunder (Bild O-2);

9. släppa knappen;

10. stoppa klingans rörelse genom att trycka på stoppknappen;

11. höja sliptillsatsen och vrida tillbaka den till ursprungsläget;

12. släppa den tills den stannar;

13. rengöra skärmaskinen.

### Smörjning

Efter en viss tid med normal användning av maskinen kan man behöva smörja vagnens skenor. Vi rekommenderar att man smörjer dem var 3:e månad. Använd uteslutande syrafriolja för smörjningen (vi rekommenderar vaselinolja). Använd inte vegetabilisk olja.

## SERVICE

Det finns inga reservdelar inne i förpackningen. Alla reparationer och byten (som exempelvis byte eller reparation av klingan, remmen, de elektriska komponenterna, delar av stommen, etc.) ska uteslutande utföras av tillverkarens behöriga personal.

Vid behov av reparation rekommenderar vi att man skickar tillbaka maskinen till tillverkaren eller till ett behörigt servicecenter.

För information om servicecenter ska man vända sig till: [service@berkelinternational.com](mailto:service@berkelinternational.com).

**! OBSERVERA!** *Klingan måste bytas ut när mellanrummet mellan klingans kant och skyddets inre kant överstiger 6 mm.*

## GARANTI OCH ANSVAR

Tillverkaren lämnar 24 måna-

ders garanti på maskinen med start från inköpsdatumet. Garantin täcker endast defekter som uppstått under korrekt användning i enlighet med de anvisningar som finns i bruksanvisningen. Garantin täcker inte defekter som orsakats under transport, av köparens inkompetens eller försummelse, en felaktig installation eller placering, av slitage eller vid strömvärden som överskrider det nominella värdet med 10% eller mer. Dessutom täcker inte garantin förbrukningskomponenter, som klingan eller slipskivan, förutom i uppenbara fall av fabriktionsfel.

Tillverkaren avsäger sig allt direkt och indirekt ansvar för:

- att användaren inte följt anvisningarna i bruksanvisningen;
- användning som strider mot gällande föreskrifter i installationslandet;

- icke godkända ändringar och/eller reparationer på maskinen;

- användning av tillbehör eller reservdelar som inte är original;

- exceptionella händelser.

När äganderätten till maskinen överförs frigörs tillverkaren omedelbart från allt ansvar, förutom att följa direktiv 2006/42/CE (ansvar för alla tillverkningsfel på produkten).

På märkplåten som finns på maskinstommen återfinns tillverkare, maskininformation, teknisk information och CE-märkning.

## SKROTNING OCH KASSERING

Maskinen består av:

- aluminiumlegering;
- insatser och diverse komponenter i rostfritt stål;
- elektriska komponenter och

elkablar;

- elektrisk motor;

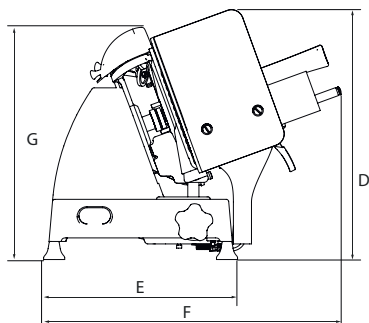
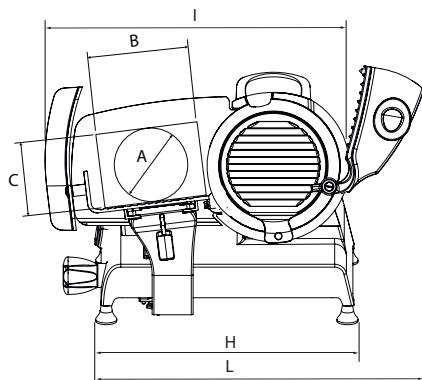
- plast, etc.

Om kassering anförtros en tredje part, ska man uteslutande välja ett företag som är behörigt att hantera ovan nämnda typer av material. Apparaten innehåller material som kan återanvändas eller återvinnas. En korrekt avfalls-sortering underlättar återvinning. När maskinen nått slutet av sin livslängd ska den lämnas till avfallsinsamling. Man kan få information om kassering från sin lokala myndighet.

## Problemlösning

PROBLEM	MÖJLIG ORSAK	ÅTGÄRD
Maskinen startar inte när man trycker på startknappen	Det saknas ström eller så är kontrollkretsen skadad	Kontrollera att stickkontakten sitter i korrekt. Om problemet kvarstår ska man kontakta Kundservice
När man trycker på startknappen startar maskinen men indikeringslampan tänds inte	Lampan är sönder	Använd inte maskinen när indikeringslampan är släckt. Kontakta kundservice
För mycket motstånd vid skärning av produkten	Klingan är inte slipad	Slipa klingan
Klingan arbetar långsammare eller stannar när den belastas	Remmen kan ha slaknat eller skadats	Kontakta kundservice för att ställa in eller byta ut remmen
När man trycker på stoppknappen stannar inte maskinen	Kontrollkrets skadad	Stoppa omedelbart maskinen genom att dra ut kontakten från nätet och kontakta omedelbart kundservice
För stort motstånd vid de glidande komponenternas rörelse (press, vagn)	Glidskenorna har inte smörjts in regelbundet	Smörj in dem

## TEKNISKA SPECIFIKATIONER



MODELL	220	250	300
A	168 mm	178 mm	230 mm
B	185 mm	185 mm	245 mm
C	160 mm	175 mm	225 mm
D	395 mm	395 mm	480 mm
E	320 mm	320 mm	385 mm
F	505 mm	505 mm	475 mm
G	390 mm	390 mm	430 mm
H	435 mm	435 mm	480 mm
I	490 mm	515 mm	635 mm
L	580 mm	570 mm	630 mm
SPECIFIKATIONER			
Kapacitet cirkelformad skärning	168 mm	178 mm	230 mm
Kapacitet rektangulär skärning	185x160 mm	187x175 mm	245x225 mm
Maximal skivtjocklek	14 mm	14 mm	12 mm
Klingans diameter	220 mm	250 mm	300 mm
Vikt	22 Kg	22 Kg	27 kg
Motoreffekt	0,19 kW	0,19 kW	0,31 kW

Notera: Som ett resultat av kontinuerlig forskning för att ständigt förbättra våra produkter, tekniska specifikationer kan möjliga variationer.



*Berkel*

Van Berkel International S.r.l.  
via Ugo Foscolo, 22  
21040 Oggiona S. Stefano (VA) - ITALY  
T +39 0331 214311  
info@berkelinternational.com  
**theberkelworld.com**